



fihb
Fédération
Internationale
de Horseball



Competition
Rules 2024
ver.1.2

Fédération Internationale de Horse-Ball

The Competition Rules (CR) have been reviewed and approved by the International Federation of Horse-Ball (FIHB).

These rules are available on the FIHB website: www.fihb.net

Fédération Internationale de Horseball
Paseo de Gracia n° 95, 5°-1a
08008 Barcelona
Spain

Index

| | |
|---------------------------------------------------------------------------------------------------------------|----|
| INDEX | 3 |
| 1 – RANKING LIST | 4 |
| 2 – JUNIOR EUROPEAN NATIONS RANKING | 4 |
| 3 – SENIOR EUROPEAN NATIONS RANKING | 4 |
| 4 – LADIES EUROPEAN NATIONS RANKING | 5 |
| 4BIS – LADIES AND PRO ELITE NATIONS RANKING FOR 2025 FIHB WORLD CUP | 6 |
| 5 – RESERVATION OF A PLACE IN THE CHAMPIONS LEAGUE FOR THE WINNER OF INTERNATIONAL MULTISTAGE COMPETITIONS | 6 |
| 6 – REGISTRATION PROCEDURE OF THE TEAMS PARTICIPATING TO CHAMPIONS LEAGUE | 7 |
| 7 – CLUB TEAM COMPOSITION | 8 |
| 8 – MULTISTAGE INTERNATIONAL EVENTS | 8 |
| 9 – COMPETITION METHOD FOR EUROPEAN CHAMPIONSHIPS WITH 6 TEAMS | 9 |
| 10 – COMPETITION METHODS FOR FIHB EVENTS | 9 |
| 10.1 – COMPETITION METHOD FOR EVENT WITH 3 TEAMS | 9 |
| 10.2 – COMPETITION METHOD FOR EVENT WITH 4 TEAMS | 10 |
| 10.3 – COMPETITION METHOD FOR EVENT WITH 5 TEAMS | 12 |
| 10.4 – COMPETITION METHOD FOR EVENT WITH 6 TEAMS | 14 |
| 10.5 – COMPETITION METHOD FOR EVENT WITH 7 TEAMS | 18 |
| 10.6 – COMPETITION METHOD FOR EVENT WITH 8 TEAMS | 21 |
| 10.7 – COMPETITION METHOD FOR EVENT WITH 9 TEAMS | 25 |
| 10.8 – COMPETITION METHOD FOR EVENT WITH 10 TEAMS | 27 |
| 10.9 – COMPETITION METHOD FOR EVENT WITH 11 TEAMS | 29 |
| 10.10 – COMPETITION METHOD FOR EVENT WITH 12 TEAMS | 32 |
| 10.11 – COMPETITION METHOD FOR EVENT WITH 14 TEAMS | 35 |
| 11 – HANDICAP SYSTEM FOR PLAYERS | 36 |
| 12 – EUROPA LEAGUE | 38 |
| HISTORY | 39 |

1 – Ranking List

Starting from 1st January 2013 all FIHB competitions, as stated in FIHB GR's art.17.1.1, will be taken in account to establish the ranking list of International players, horses, coaches, clubs, from 1st January 2014 also for referees and Nations, from 1st January 2017 also for National Championships and starting from 1st January 2020 the WHR system is opened also to U8, U10, U12 and U14 players.

The ranking list is established by points gained by Horse-Ball players, horses, coaches, clubs, referees and Nations in participating to recognized FIHB event or in National Championships.

Please refer to FIHB WHR Rules for any other information and/or rule related to the World Horseball Ranking.

2 – Junior European Nations Ranking

This ranking establishes which are the Nations able to participate to the next FIHB U16 Champions League. It is based on the WHR points gained by the Clubs and by the Nations during the last 3 years. The Nations of this classification have the right to present their best team who won their National Championship or any National Cup that the National Federation/ONHB retains adequate for the selection of the team in the current or previous season, according to the development of the national season.

The classification of the National Championship and/or Cup with the participating team has to be communicated by the National Federation together the priority order to choose the club teams participating to the Champions League.

The Nation with the major number of WHR points will be ranked by the FIHB as the best Nation, the Nation with the 2nd major number of WHR points will be the 2nd best Nation etc.. If two or more Nations have the same number of points, the number of Clubs has to be taken into consideration.

The U16 FIHB Ranking for 2024 is:

| U16 FIHB Ranking 2024 | | |
|------------------------------|---------------|---------------|
| Rank | Nation | Points |
| 1 st | France | 1.890 |
| 2 nd | Spain | 1.720 |
| 3 rd | Italy | 885 |
| 4 th | Portugal | 480 |
| 5 th | Great Britain | 410 |
| 6 th | Belgium | 110 |

3 – Senior European Nations Ranking

This ranking establishes which are the Nations able to participate to the next FIHB Pro Elite Champions League. It is based on the WHR points gained by the Clubs and by the Nations during the last 3 years. The Nations of this classification have the right to present their best team who won their National Championship or any National Cup that the National Federation/ONHB retains adequate for the selection of the team in the current or previous season, according to the development of the national season.

The classification of the National Championship and/or Cup with the participating team has to be communicated by the National Federation together the priority order to choose the club teams participating to the Champions League.

The Nation with the major number of WHR points will be ranked by the FIHB as the best Nation, the Nation with the 2nd major number of WHR points will be the 2nd best Nation etc.. If two or more Nations have the same number of points, the number of Clubs has to be taken into consideration.

The Pro Elite FIHB Ranking for 2024 is:

| Pro Elite FIHB Ranking 2024 | | |
|------------------------------------|---------------|---------------|
| Rank | Nation | Points |
| 1 st | Spain | 2.745 |
| 2 nd | France | 2.030 |
| 3 rd | Belgium | 1.700 |
| 4 th | Italy | 1.280 |
| 5 th | Portugal | 910 |
| 6 th | Great Britain | 600 |

4 – Ladies European Nations Ranking

This ranking establishes which are the Nations able to participate to the next FIHB Ladies Champions League. It is based on the WHR points gained by the Clubs and Nations during the last 3 years. The Nations of this classification have the right to present their best team who won their National Championship or any National Cup that the National Federation/ONHB retains adequate for the selection of the team in the current or previous season, according to the development of the national season.

The classification of the National Championship and/or Cup with the participating team has to be communicated by the National Federation together the priority order to choose the club teams participating to the Champions League.

The Nation with the major number of WHR points will be ranked by the FIHB as the best Nation, the Nation with the 2nd major number of WHR points will be the 2nd best Nation etc.. If two or more Nations have the same number of points, the number of Clubs has to be taken into consideration.

The Ladies FIHB Ranking for 2024 is:

| Ladies FIHB Ranking 2024 | | |
|---------------------------------|---------------|---------------|
| Rank | Nation | Points |
| 1 st | Spain | 2.960 |
| 2 nd | France | 1.740 |
| 3 rd | Italy | 1.060 |
| 4 th | Great Britain | 940 |
| 5 th | Portugal | 370 |
| 6 th | Belgium | 120 |

4bis – Ladies and Pro Elite Nations Ranking for 2025 FIHB World Cup

For the definition of the Head of Series for the 2025 FIHB World Cup is requested the Nations Ranking that comprises the last two (2) FIHB World Cups (from 2016 till 2024) and is based on the WHR points gained by Clubs and Nations during this period.

| Ladies | | |
|------------------|---------------|---------------|
| Rank | Nation | Points |
| 1 st | Spain | 8.100 |
| 2 nd | France | 5.870 |
| 3 rd | Italy | 2.475 |
| 4 th | Great Britain | 2.310 |
| 5 th | Portugal | 1.000 |
| 6 th | Belgium | 905 |
| 7 th | Canada | 110 |
| 8 th | Netherlands | 90 |
| 9 th | Brazil | 60 |
| 10 th | Austria | 50 |

| Pro Elite | | |
|------------------|---------------|---------------|
| Rank | Nation | Points |
| 1 st | France | 7.365 |
| 2 nd | Spain | 7.310 |
| 3 rd | Belgium | 4.495 |
| 4 th | Italy | 3.155 |
| 5 th | Portugal | 3.080 |
| 6 th | Great Britain | 1.750 |
| 7 th | Argentina | 325 |
| 8 th | Canada | 135 |
| 9 th | Mexico | 100 |
| 10 th | Netherlands | 80 |
| 11 th | Brazil | 65 |
| 12 th | Japan | 60 |
| 12 th | Kyrgyzstan | 60 |
| 14 th | Algeria | 50 |
| 14 th | Australia | 50 |

5 – Reservation of a place in the Champions League for the winner of International multistage competitions

In the case of International multistage competitions with the participation of teams of at least 3 nations and with at least 3 stages, a place is reserved for the winner of that competitions in each category for the next Champions League. If the winner of the International multistage competitions is also the winner of its National Championship, then the place for the Champions League will be entitled to the team that is classified at the 2nd place of the international multistage competition.

For the year 2023-2024 only one International multistage competition is entitled for a place in the 2024 Champions League. No International multistage competition will be entitled to have a place for the Champions League in the year 2025 onward.

The end of the International multistage competitions must be by the end of May of the year concerned.

6 – Registration procedure of the teams participating to Champions League

According to the number of club teams allowed in a Champions League and defined by the Organizer and approved by the FIHB (normally from 4 to 8 teams depending of the category), the following procedure will be used to accept the registration of the teams:

1. If there are places reserved for the winner of the International multistage events, then the relevant teams will be invited and if they can't participate, they will lose the possibility to participate the Champions League;
2. Starting from the first Nation of the ranking, the first classified club team of that Nation will be invited and if the first team can't participate, the second classified is then able to participate;
3. The step 2 is then repeated for all the subsequent Nations of the ranking until the maximum number of teams is reached;
4. If the number of registered teams is less than the maximum number of teams then on starts again from the first Nation of the ranking, the second classified club team of that Nation will be invited and if the second team can't participate (or it's just registered), the third classified is then able to participate;
5. The step 4 is then repeated for all the subsequent Nations of the ranking until the maximum number of teams is reached;
6. If the number of registered teams is less than the maximum number of teams then on starts again from the first Nation of the ranking, the third classified club team of that Nation will be invited and if the third team can't participate (or it's just registered), the fourth classified is then able to participate;
7. The step 6 is then repeated for all the subsequent Nations of the ranking until the maximum number of teams is reached;
8. If the number of registered teams is less than the maximum number of teams then on starts again from the first Nation of the ranking, the fourth classified club team of that Nation will be invited and if the fourth team can't participate (or it's just registered), the fifth classified is then able to participate;
9. The step 8 is then repeated for all the subsequent Nations of the ranking until the maximum number of teams is reached;
10. If the number of registered teams is less than the maximum number of teams then club team of Nations not listed in the ranking are able to participate.

Notes:

- in the case where the hosting country of the Champions League doesn't have a place into the competition then a place into the competition can be reserved.
- in case of no payment of the 30% of the inscription fee within the deadline for a club team registered in the FIHB Champions League, FIHB has the right to invite the next club team in the priority list.

Example:

| U16 FIHB Ranking 2017 | | |
|------------------------------|---------------|---------------|
| Rank | Nation | Points |
| 1 st | France | 1045 |
| 2 nd | Spain | 870 |
| 3 rd | Portugal | 420 |
| 4 th | Italy | 341 |
| 5 th | Belgium | 50 |

Nation ranking

| France | Spain | Portugal | Italy | Belgium |
|---------------------------------|---------------------------------|---------------------------------|---------------------------------|---------------------------------|
| 1 st club team – YES | 1 st club team – NO | 1 st club team – NO | 1 st club team – NO | 1 st club team – YES |
| 2 nd club team – YES | 2 nd club team – YES | 2 nd club team – NO | 2 nd club team – YES | 2 nd club team – YES |
| 3 rd club team – YES | 3 rd club team – NO | 3 rd club team – YES | 3 rd club team – YES | |
| 4 th club team – NO | 4 th club team – YES | | | |
| 5 th club team – YES | | | | |

Club team classification in each nation and their intention to participate

| N | Club team |
|----------|------------------------------------|
| 1 | France 1 st club team |
| 2 | Spain 2 nd club team |
| 3 | Italy 2 nd club team |
| 4 | Belgium 1 st club team |
| 5 | France 2 nd club team |
| 6 | Portugal 3 rd club team |
| 7 | Belgium 2 nd club team |
| 8 | France 3 rd club team |

Final list of registered club team

7 – Club team composition

The composition of a club team participating to the FIHB Champions League in the Under16, Ladies or Pro Elite category has to be compliant to the following rules:

- In case of a club team of up to 6 players, minimum 4 players must be players registered to that club team for the calendar year;
- In case of a club team of up to 7 players, minimum 5 players must be players registered to that club team for the calendar year;
- In case of a club team that has the right to participate but for some reason change the name and/or the address of the club team, then the new club team has the right to participate under the authorization on its National Federation or ONHB;
- Derogations to the above rules according to particular cases could be given with the approval of the ONBH or National Federation of the country involved;
- All the information related to the registration of the players to a particular club team for the calendar year will be delivered by the own National Federation or ONHB;
- The inscription of the club team will be carried out by the club team and validated by its National Federation or ONHB.

8 – Multistage International events

Multistage International events are competitions organized mainly among neighboring nations in order to develop international Horseball.

Those events can comprise different categories (i.e. Under16, Ladies, Pro Elite) with the same classification of competition that means same number of stars or also with different classification of competition (for example Under16, Ladies and Pro Elite with 3 stars and Club Ladies with 2 stars).

A competition method shall be proposed according to the number of registered teams and presented in the preliminary program specifying also the number of stages and for each stage, the number of days.

After the deadline for the team registration, a draw will be made and all the teams will be immediately informed about the final match schedule. All the matches will be played according to the final match schedule and no changes or postponing/anticipating of matches in other stages will be allowed.

In the case a team is not ready for the veterinary inspection or to start playing at the schedules time, it will be considered as forfeit (0 points, -8 goal average for the forfeiting team, +8 goal average for the opposing team). In addition, the forfeiting team shall reimburse the sum of 400€ each player of the opposing team independently if they informed or not the opposing team or the OC. Special cases will be evaluated by the Disciplinary Commission: sanctions up to 2 years ban from the competitions could be applied for the participants (players, coaches, clubs).

9 – Competition method for European Championships with 6 teams

In the European Championships where 6 teams are divided in 2 groups and they play all against all for the first 3 days then the next 2 days there is the cross between 1st and 2nd of the 2 groups, the teams will be grouped by means of a full draw without head of series.

10 – Competition methods for FIHB events

The competition methods are below described for the following FIHB events:

- Continental Championships with 3 to 8 teams over 3 to 6 days;
- World Championships with 3 to 12 teams and 14 teams over 3 to 6 days;
- Champions League with 4 to 8 teams over 2 to 3 days;
- International Events with 3 to 12 teams over 2 to 3 days.

In case of multiple options, the choice of the competition method will be carried out by the FIHB for Continental or World Championships and Champions League and by the Organizing Committee for the International Events.

For the welfare of the horses and ponies the following constraints are applied to all competition methods:

- Maximum 3 days in a row;
- Maximum 4 matches in an event;
- Maximum 8 horses/ponies.

10.1 – Competition method for event with 3 teams

| 3 TEAMS | OPTION 1 | |
|-----------------------|---------------------------------------------------------------------------------------------------------------|--------------------------------|
| Event | <ul style="list-style-type: none"> • Continental Championships • World Championships | |
| Description | All against all with return matches | |
| Teams | A, B, C | |
| Day 1 | A vs B | 1 st leg Matches |
| Day 2 | B vs C | |
| Day 3 | C vs A | |
| Day 4 | A vs B | return matches |
| Day 5 | B vs C | |
| Day 6 | C vs A | |
| Ranking | Sum of the points/goal average scored over all matches | |
| Drawing | Full drawing among all teams: <ul style="list-style-type: none"> • Basket A: name of the teams | |
| Drawing phases | Phase | Team |
| | 1 | 1x Basket A=A |
| | 2 | 1x Basket A=B |
| | 3 | 1x Basket A=C |

| 3 TEAMS | OPTION 2 | |
|-----------------------|---------------------------------------------------------------------------------------------------------------------------------------|-----------------------------|
| Event | <ul style="list-style-type: none"> Continental Championships World Championships International Event | |
| Description | All against all | |
| Teams | A, B, C | |
| Day 1 | A vs B | 1 st leg matches |
| Day 2 | B vs C | |
| Day 3 | C vs A | |
| Ranking | Sum of the points/goal average scored over all matches | |
| Drawing | Full drawing among all teams: <ul style="list-style-type: none"> Basket A: name of the teams | |
| Drawing phases | Phase | Team |
| | 1 | 1x Basket A=A |
| | 2 | 1x Basket A=B |
| | 3 | 1x Basket A=C |

10.2 – Competition method for event with 4 teams

| 4 TEAMS | OPTION 1 | |
|-----------------------|-------------------------------------------------------------------------------------------------------------------|------------------------------------|
| Event | <ul style="list-style-type: none"> Continental Championships World Championships | |
| Description | Qualifications with all against all then finals | |
| Teams | A, B, C, D | |
| Day 1 | A vs B | C vs D |
| Day 2 | A vs C | B vs D |
| Day 3 | A vs D | B vs C |
| Day 4 | REST | |
| Day 5 | 3 rd vs 4 th | 3 rd to 4 th |
| | 1 st vs 2 nd | 1 st to 2 nd |
| Ranking | Sum of the points/goal average scored over all matches of Day 1...Day 3 Finals with winner/loser (golden goal) | |
| Drawing | Full drawing among all teams: <ul style="list-style-type: none"> Basket A: name of the teams | |
| Drawing phases | Phase | Team |
| | 1 | 1x Basket A=A |
| | 2 | 1x Basket A=B |
| | 3 | 1x Basket A=C |
| | 4 | 1x Basket A=D |

| 4 TEAMS | OPTION 2 | | |
|-----------------------|-----------------------------------------------------------------------------------------------------------------------------------------------------------------|---------------|-----------------------------|
| Event | <ul style="list-style-type: none"> Continental Championships World Championships Champions League International Event | | |
| Description | All against all | | |
| Teams | A, B, C, D | | |
| Day 1 | A vs B | C vs D | 1 st leg matches |
| Day 2 | A vs C | B vs D | |
| Day 3 | A vs D | B vs C | |
| Ranking | Sum of the points/goal average scored over all matches | | |
| Drawing | Full drawing among all teams: <ul style="list-style-type: none"> Basket A: name of the teams | | |
| Drawing phases | Phase | Team | |
| | 1 | 1x Basket A=A | |
| | 2 | 1x Basket A=B | |
| | 3 | 1x Basket A=C | |
| | 4 | 1x Basket A=D | |

| 4 TEAMS | OPTION 3 | | |
|-----------------------------------------------|-----------------------------------------------------------------------------------------------------------------------------------------------------------------------------------------------------------------------------------------|-----------------------|----------------------------------------|
| Event | <ul style="list-style-type: none"> Champions League International Event | | |
| Description | Qualifications then finals | | |
| Teams | A, B, C, D | | |
| Day 1 | A vs B | C vs D | qualifications |
| Day 2 | loser AB vs loser CD | | final 3 rd -4 th |
| | winner AB vs winner CD | | final 1 st -2 nd |
| Ranking | Qualifications on 1 st day then finals | | |
| Drawing for Champions League | <ul style="list-style-type: none"> Basket A: Head of Series, 1st and 2nd of the FIHB Nations Ranking or the higher in the ranking for the category involved Basket B: all the other teams | | |
| Drawing phases for Champions League | Phase | Group 1 (A, B) | Group 2 (C, D) |
| | 1 | 1x Basket B=A | |
| | 2 | | 1x Basket B=C |
| | 3 | 1x Basket A=B | |
| | 4 | | 1x Basket A=D |
| Drawing for International Event | Full drawing among all teams: <ul style="list-style-type: none"> Basket A: name of the teams | | |
| Drawing phases for International Event | Phase | Group 1 (A, B) | Group 2 (C, D) |
| | 1 | 1x Basket A=A | |
| | 2 | | 1x Basket A=C |
| | 3 | 1x Basket A=B | |
| | 4 | | 1x Basket A=D |

10.3 – Competition method for event with 5 teams

| 5 TEAMS | OPTION 1 | | | |
|-----------------------|-------------------------------------------------------------------------------------------------------------|---------------|---------------|-----------------------------|
| Event | <ul style="list-style-type: none"> Continental Championships World Championships | | | |
| Description | All against all | | | |
| Teams | A, B, C, D, E | | | |
| Day 1 | A vs B | C vs D | E rest | 1 st leg matches |
| Day 2 | A vs E | B vs C | D rest | |
| Day 3 | A vs D | B vs E | C rest | |
| Day 4 | REST | | | |
| Day 5 | A vs C | D vs E | B rest | |
| Day 6 | B vs D | C vs E | A rest | |
| Ranking | Sum of the points/goal average scored over all matches | | | |
| Drawing | Full drawing among all teams: <ul style="list-style-type: none"> Basket A: name of the teams | | | |
| Drawing phases | Phase | | Team | |
| | 1 | | 1x Basket A=A | |
| | 2 | | 1x Basket A=B | |
| | 3 | | 1x Basket A=C | |
| | 4 | | 1x Basket A=D | |
| 5 | | 1x Basket A=E | | |

| 5 TEAMS | OPTION 2 | | |
|-----------------------------------------------|-----------------------------------------------------------------------------------------------------------------------------------------------------------------------------------------------------------------------------------------|----------------------------------------------------------------|----------------------------------------|
| Event | <ul style="list-style-type: none"> Champions League International Event | | |
| Description | Qualifications with 1 direct match and 1 triangular on Day 1 and Day 2 then finals | | |
| Teams | A, B, C, D, E | | |
| Day 1 | A vs B | triangular C, D, E | qualifications |
| Day 2 | 1 st CDE vs loser AB | triangular winner AB, 2 nd CDE, 3 rd CDE | |
| Day 3 | triangular 2 nd and 3 rd triangular Day 2, loser direct match Day 2 | | final 3 rd -5 th |
| | 1 st triangular Day 2 vs winner direct match Day 2 | | final 1 st -2 nd |
| Ranking | For each day, winner/loser for the direct match or sum of points/goal average scored in each match of the triangular | | |
| Drawing for Champions League | <ul style="list-style-type: none"> Basket A: Head of Series, 1st and 2nd of the FIHB Nations Ranking or the higher in the ranking for the category involved Basket B: all the other teams | | |
| Drawing phases for Champions League | Phase | Group 1 (A, B) | Group 2 (C, D, E) |
| | 1 | | 1x Basket B=C |
| | 2 | 1x Basket B=A | |
| | 3 | | 1x Basket B=D |
| | 4 | 1x Basket A=B | |
| | 5 | | 1x Basket A=E |
| Drawing for International Event | Full drawing among all teams: <ul style="list-style-type: none"> Basket A: name of the teams | | |
| Drawing phases for International Event | Phase | Group 1 (A, B) | Group 2 (C, D, E) |
| | 1 | | 1x Basket A=C |
| | 2 | 1x Basket A=A | |
| | 3 | | 1x Basket A=D |
| | 4 | 1x Basket A=B | |
| | 45 | | 1x Basket A=E |

10.4 – Competition method for event with 6 teams

| 6 TEAMS | OPTION 1 | | | |
|-------------------------------------------|----------------------------------------------------------------------------------------------------------------------------------------------------------------------------------------------------------------------------------------------------------------------------------------------------------|--------------------------|------------------------------------|---------------------------------------------------------------------|
| Event | <ul style="list-style-type: none"> Continental Championships World Championships | | | |
| Description | Qualifications with 2 groups (G1, G2) of 3 teams all against all then semifinals and finals for the 1 st and 2 nd teams of each group and a forward & return match for the 3 rd teams | | | |
| Teams | A, B, C, D, E, F | | | |
| Day 1 | G1: A vs B | G2: D vs E | C, F rest | qualifications: 2 gr. of 3 teams G1 (A, B, C) G2 (D, E, F) |
| Day 2 | G1: B vs C | G2: E vs F | A, D rest | |
| Day 3 | G1: C vs A | G2: F vs D | B, E rest | |
| Day 4 | REST | | | |
| Day 5 | 3 rd G1 vs 3 rd G2 | | 5 th to 6 th | forward match |
| | 1 st G1 vs 2 nd G2 | | 1 st to 4 th | semifinal 1 |
| | 1 st G2 vs 2 nd G1 | | | semifinal 2 |
| Day 6 | 3 rd G1 vs 3 rd G2 | | 5 th to 6 th | return match |
| | loser SF1 vs loser SF2 | | 3 rd to 4 th | finals |
| | winner SF1 vs winner SF2 | | 1 st to 2 nd | |
| Ranking | Qualifications: sum of the points/goal average scored over all matches of the Day 1...Day 3 5 th -6 th place: sum of the points/goal average of the forward & return matches 1 st -4 th place: winner/loser of the semifinals and finals (golden goal) | | | |
| Drawing for Continental Ch. | Full drawing among all teams: <ul style="list-style-type: none"> Basket A: name of the teams | | | |
| Drawing phases for Continental Ch. | Phase | Group 1 (A, B, C) | Group 2 (D, E, F) | |
| | 1 | 1x Basket A=A | | |
| | 2 | | 1x Basket A=D | |
| | 3 | 1x Basket A=B | | |
| | 4 | | 1x Basket A=E | |
| | 5 | 1x Basket A=C | | |
| | 6 | | 1x Basket A=F | |
| Drawing for World Ch. | <ul style="list-style-type: none"> Basket A: Head of Series, 1st and 2nd of the FIHB Nations Ranking or the higher in the ranking for the category involved Basket B: all the other teams | | | |
| Drawing phases for World Ch. | Phase | Group 1 (A, B, C) | Group 2 (D, E, F) | |
| | 1 | 1x Basket B=A | | |
| | 2 | | 1x Basket B=D | |
| | 3 | 1x Basket B=B | | |
| | 4 | | 1x Basket B=E | |
| | 5 | 1x Basket A=C | | |
| | 6 | | 1x Basket A=F | |

| 6 TEAMS | OPTION 2 | | | |
|-------------------------------------------|-----------------------------------------------------------------------------------------------------------------------------------------------------------------------------------------------------------------------------------------|--------------------------|------------------------------------|---------------------------------------------------------------------|
| Event | <ul style="list-style-type: none"> Continental Championships World Championships | | | |
| Description | Qualifications with 2 groups (G1, G2) of 3 teams all against all then finals | | | |
| Teams | A, B, C, D, E, F | | | |
| Day 1 | G1: A vs B | G2: D vs E | C, F rest | qualifications: 2 gr. of 3 teams G1 (A, B, C) G2 (D, E, F) |
| Day 2 | G1: B vs C | G2: E vs F | A, D rest | |
| Day 3 | G1: C vs A | G2: F vs D | B, E rest | |
| Day 4 | 3 rd G1 vs 3 rd G2 | | 5 th to 6 th | finals |
| | 2 nd G1 vs 2 nd G2 | | 3 rd to 4 th | |
| | 1 st G1 vs 1 st G2 | | 1 st to 2 nd | |
| Ranking | Qualifications: sum of the points/goal average scored over all matches of the Day 1...Day 3 1 st -6 th place: winner/loser of the finals (golden goal) | | | |
| Drawing for Continental Ch. | Full drawing among all teams: <ul style="list-style-type: none"> Basket A: name of the teams | | | |
| Drawing phases for Continental Ch. | Phase | Group 1 (A, B, C) | Group 2 (D, E, F) | |
| | 1 | 1x Basket A=A | | |
| | 2 | | 1x Basket A=D | |
| | 3 | 1x Basket A=B | | |
| | 4 | | 1x Basket A=E | |
| | 5 | 1x Basket A=C | | |
| Drawing for World Ch. | <ul style="list-style-type: none"> Basket A: Head of Series, 1st and 2nd of the FIHB Nations Ranking or the higher in the ranking for the category involved Basket B: all the other teams | | | |
| | Phase | Group 1 (A, B, C) | Group 2 (D, E, F) | |
| | 1 | 1x Basket B=A | | |
| | 2 | | 1x Basket B=D | |
| | 3 | 1x Basket B=B | | |
| | 4 | | 1x Basket B=E | |
| 5 | 1x Basket A=C | | | |
| 6 | | 1x Basket A=F | | |

| 6 TEAMS | OPTION 3 | | |
|-------------------------------------------|-----------------------------------------------------------------------------------------------------------------------------------------------------------------------------------------------------------------------------------------|------------------------------------------------------------|--------------------------|
| Event | <ul style="list-style-type: none"> Continental Championships World Championships | | |
| Description | Qualifications with 2 groups (g1, G2) of 3 teams all against all then semifinals Finals based on the overall ranking after Day 1...3 and Day 5 | | |
| Teams | A, B, C, D, E, F | | |
| Day 1 | G1: A vs B | G2: D vs E | C, F rest |
| Day 2 | G1: B vs C | G2: E vs F | A, D rest |
| Day 3 | G1: C vs A | G2: F vs D | B, E rest |
| Day 4 | REST | | |
| Day 5 | 1 st G1 vs 3 rd G2 | the teams keep points & goals scored in the qualifications | semifinals |
| | 1 st G2 vs 3 rd G1 | | |
| | 2 nd G1 vs 2 nd G2 | | |
| Day 6 | 5 th vs 6 th | 5 th to 6 th | finals |
| | 3 rd vs 4 th | 3 rd to 4 th | |
| | 1 st vs 2 nd | 1 st to 2 nd | |
| Ranking | Qualifications and semifinals: sum of the points/goal average scored over all matches of the Day 1...Day 3 and Day 5 1 st -6 th place: winner/loser of the finals (golden goal) | | |
| Drawing for Continental Ch. | Full drawing among all teams: <ul style="list-style-type: none"> Basket A: name of the teams | | |
| Drawing phases for Continental Ch. | Phase | Group 1 (A, B, C) | Group 2 (D, E, F) |
| | 1 | 1x Basket A=A | |
| | 2 | | 1x Basket A=D |
| | 3 | 1x Basket A=B | |
| | 4 | | 1x Basket A=E |
| | 5 | 1x Basket A=C | |
| | 6 | | 1x Basket A=F |
| Drawing for World Ch. | <ul style="list-style-type: none"> Basket A: Head of Series, 1st and 2nd of the FIHB Nations Ranking or the higher in the ranking for the category involved Basket B: all the other teams | | |
| Drawing phases for World Ch. | Phase | Group 1 (A, B, C) | Group 2 (D, E, F) |
| | 1 | 1x Basket B=A | |
| | 2 | | 1x Basket B=D |
| | 3 | 1x Basket B=B | |
| | 4 | | 1x Basket B=E |
| | 5 | 1x Basket A=C | |
| | 6 | | 1x Basket A=F |

| 6 TEAMS | OPTION 4 | | | |
|-----------------------------------------------|-------------------------------------------------------------------------------------------------------------------------------------------------------------------------------------------------------------------------------------------------------------------------|-----------------------|------------------------------------|-----------------------|
| Event | <ul style="list-style-type: none"> Champions League International Event | | | |
| Description | Qualifications with 3 direct matches. Forward & return match for the worst losers of the direct matches for the 5 th and 6 th place while semifinals and finals for the remaining teams for the 1 st to 4 th place | | | |
| Teams | A, B, C, D, E, F | | | |
| Day 1 | A vs B | C vs D | E vs F | qualifications |
| Day 2 | 2 nd best loser vs 3 rd best loser | | 5 th to 6 th | forward match |
| | best winner vs best loser | | 1 st to 4 th | semifinal 1 |
| | 2 nd best winner vs 3 rd best winner | | | semifinal 2 |
| Day 3 | 2 nd best loser vs 3 rd best loser | | 5 th to 6 th | return match |
| | loser SF1 vs loser SF2 | | 3 rd to 4 th | finals |
| | winner SF1 vs winner SF2 | | 1 st to 2 nd | |
| Ranking | Qualifications: winner/loser of the direct matches (golden goal) 1 st to 4 th : winner/loser of the semifinals and finals (golden goal) 5 th to 6 th : sum of the points/goal average of the forward & return matches | | | |
| Drawing for Champions League | <ul style="list-style-type: none"> Basket A: Head of Series, 1st, 2nd and 3rd of the FIHB Nations Ranking or the higher in the ranking for the category involved Basket B: all the other teams | | | |
| Drawing phases for Champions League | Phase | Group 1 (A, B) | Group 2 (C, D) | Group 3 (E, F) |
| | 1 | 1x Basket B=A | | |
| | 2 | | 1x Basket B=C | |
| | 3 | | | 1x Basket B=E |
| | 4 | 1x Basket A=B | | |
| | 5 | | 1x Basket A=D | |
| | 6 | | | 1x Basket A=F |
| Drawing for International Event | Full drawing among all teams: <ul style="list-style-type: none"> Basket A: name of the teams | | | |
| Drawing phases for International Event | Phase | Group 1 (A, B) | Group 2 (C, D) | Group 3 (E, F) |
| | 1 | 1x Basket A=A | | |
| | 2 | | 1x Basket A=C | |
| | 3 | | | 1x Basket A=E |
| | 4 | 1x Basket A=B | | |
| | 5 | | 1x Basket A=D | |
| | 6 | | | 1x Basket A=F |

10.5 – Competition method for event with 7 teams

| 7 TEAMS | OPTION 1 | | | | | |
|-------------------------------------------|----------------------------------------------------------------------------------------------------------------------------------------------------------------------------------------------------------------------------------------------------------------------------------------------------------------|-----------------------------|------------------------------------|--------------------------|--------------------------------------------------------------------------------------------------------------------------------------------------------------------------------------------------|--|
| Event | <ul style="list-style-type: none"> Continental Championships World Championships | | | | | |
| Description | Qualifications with 1 group (G1) of 4 teams and 1 group (G2) of 3 teams all against all in each group then finals | | | | | |
| Teams | A, B, C, D, E, F, G | | | | | |
| Day 1 | G1: A vs B | G1: C vs D | G2: E vs F | G rest | qualifications: 1 gr.of 4 teams G1 (A,B,C,D) 1 gr.of 3 teams G2 (E, F, G) In order to play the same number of matches for all the teams, it's necessary an additional triangular for G2 | |
| Day 2 | G1: A vs C | G2: F vs G | | B, D, E rest | | |
| Day 3 | G1: B vs D | G2: G vs E | | A, C, F rest | | |
| Day 4 | REST | | | | | |
| Day 5 | G1: A vs D | G1: B vs C | triangular E,F,G | all teams play | | |
| Day 6 | triangular 3 rd G1, 4 th G1, 3 rd G2 | | 5 th to 7 th | all teams play | finals | |
| | 2 nd G1 vs 2 nd G2 | | 3 rd to 4 th | | | |
| | 1 st G1 vs 1 st G2 | | 1 st to 2 nd | | | |
| Ranking | Qualifications: sum of the points/goal average scored over all matches of the Day 1...Day 3 and Day 5 5 th -7 th place: sum of the points/goal average of each match of the triangular 1 st -4 th place: winner/loser of the finals (golden goal) | | | | | |
| Drawing for Continental Ch. | Full drawing among all teams: <ul style="list-style-type: none"> Basket A: name of the teams | | | | | |
| Drawing phases for Continental Ch. | Phase | Group 1 (A, B, C, D) | | Group 2 (E, F, G) | | |
| | 1 | 1x Basket A=A | | 1x Basket A=E | | |
| | 2 | 1x Basket A=B | | 1x Basket A=F | | |
| | 3 | 1x Basket A=C | | 1x Basket A=G | | |
| | 4 | 1x Basket A=D | | | | |
| | 5 | 1x Basket A=E | | | | |
| | 6 | 1x Basket A=F | | | | |
| Drawing for World Ch. | <ul style="list-style-type: none"> Basket A: Head of Series, 1st and 2nd of the FIHB Nations Ranking or the higher in the ranking for the category involved Basket B: other EU Nations Basket C: non EU Nations (2 non EU Nations in the example below) | | | | | |
| | Drawing phases for World Ch. | Phase | Group 1 (A, B, C, D) | | Group 2 (E, F, G) | |
| | | 1 | 1x Basket C=A | | 1x Basket C=E | |
| | | 2 | 1x Basket B=B | | 1x Basket B=F | |
| | | 3 | 1x Basket B=C | | 1x Basket A=G | |
| | | 4 | 1x Basket A=D | | | |
| | | 5 | 1x Basket A=E | | | |
| 6 | | 1x Basket A=F | | | | |

| 7 TEAMS | OPTION 2 | | | |
|-------------------------------------------|---------------------------------------------------------------------------------------------------------------------------------------------------------------------------------------------------------------------------------------------------------------------------------------------------------------------------------------------------------------------------------------------------------------------------------------------------------------------------------------------------------------------------------------------------------------------|-----------------------------------------------|--------------------------|----------------------------------------------------------------------------------------------------------------------------------------------------------------------------------------------------|
| Event | <ul style="list-style-type: none"> Continental Championships World Championships | | | |
| Description | Qualifications with 1 group (G1) of 4 teams and 1 group (G2) of 3 teams: on Day 1...Day 3 in group G1, the teams play 2 direct matches and then winners vs losers while in group G2 the teams play all against all Finals: based on the results of Day 1...Day 3, there is 1 groups of 4 teams (G3: top 2 from G1, top 2 from G2) that play semifinals and finals for the 1 st -4 th place and 1 group of 3 teams (G4: bottom 2 from G1, bottom 1 from G2 = L, M, N) that play a triangular for the 5 th -7 th place | | | |
| Teams | A, B, C, D, E, F, G | | | |
| Day 1 | G1: A vs B | G1: C vs D | G rest | qualifications: 1 gr.of 4 teams G1 (A,B,C,D) 1 gr.of 3 teams G2 (E, F, G) |
| Day 2 | G2: E vs F | | A, B, C, D, E rest | |
| Day 3 | G1 rest | G2: F vs G | | |
| Day 4 | G1: winner AB vs loser CD | G1: winner CD vs loser AB | F rest | |
| Day 5 | G2: G vs E | | | |
| Day 6 | L vs M | 5 th to 7 th | N rest | |
| Day 7 | SF1: 1 st G1 vs 2 nd G2 | SF2: 1 st G2 vs 2 nd G1 | | semifinals |
| Day 8 | M vs N | 5 th to 7 th | L rest G3 rest | finals: 1 gr.of 4 teams G3 (1 st /2 nd G1, 1 st /2 nd G2) 1 gr.of 3 teams G4 (3 rd /4 th G1, 3 rd G2 = L, M, N) |
| Day 9 | G3 rest | | | |
| Day 10 | N vs L | 5 th to 7 th | M rest | |
| Day 11 | loser SF1 vs loser SF2 | 3 rd to 4 th | | |
| Day 12 | winner SF1 vs winner SF2 | 1 st to 2 nd | | |
| Ranking | Qualifications: sum of the points/goal average scored over all matches of the Day 1...Day 3 5 th -7 th place: sum of the points/goal average of each match of the triangular 1 st -4 th place: winner/loser of the semifinals and finals (golden goal) | | | |
| Drawing for Continental Ch. | Full drawing among all teams: <ul style="list-style-type: none"> Basket A: name of the teams | | | |
| Drawing phases for Continental Ch. | Phase | Group 1 (A, B, C, D) | Group 2 (E, F, G) | |
| | 1 | 1x Basket A=A | | |
| | 2 | | 1x Basket A=E | |
| | 3 | 1x Basket A=B | | |
| | 4 | | 1x Basket A=F | |
| | 5 | 1x Basket A=C | | |
| | 6 | | 1x Basket A=G | |
| | 7 | 1x Basket A=D | | |
| Drawing for World Ch. | <ul style="list-style-type: none"> Basket A: Head of Series, 1st and 2nd of the FIHB Nations Ranking or the higher in the ranking for the category involved Basket B: other EU Nations Basket C: non EU Nations (2 non EU Nations in the example below) | | | |
| Drawing phases for World Ch. | Phase | Group 1 (A, B, C, D) | Group 2 (E, F, G) | |
| | 1 | 1x Basket C=A | | |
| | 2 | | 1x Basket C=E | |
| | 3 | 1x Basket B=B | | |
| | 4 | | 1x Basket B=F | |
| | 5 | 1x Basket B=C | | |
| | 6 | | 1x Basket A=G | |
| | 7 | 1x Basket A=D | | |

| 7 TEAMS | OPTION 3 | | | |
|-----------------------------------------------|-------------------------------------------------------------------------------------------------------------------------------------------------------------------------------------------------------------------------------------------------------------------------------------------------------------------------------------------------------------------------------------------------|-----------------------|------------------------------------|--------------------------|
| Event | <ul style="list-style-type: none"> Champions League International Event | | | |
| Description | Qualifications with 2 groups (G1, G2) of 2 teams with 2 direct matches and 1 group (G3) of 3 teams with a triangular. Forward & return triangular for the losers of the direct matches and the 3 rd of the triangular on Day 1 for the 5 th to 7 th place while semifinals and finals for the remaining teams for the 1 st to 4 th place | | | |
| Teams | A, B, C, D, E, F, G | | | |
| Day 1 | A vs B | C vs D | triangular E, F, G | qualifications |
| Day 2 | triangular loser AB, loser CD, 3 rd EFG | | 5 th to 7 th | forward triangular |
| | winner AB vs 1 st EFG | | 1 st to 4 th | semifinal 1 |
| | winner CD vs 2 nd EFG | | | semifinal 2 |
| Day 3 | triangular loser AB, loser CD, 3 rd EFG | | 5 th to 7 th | return triangular |
| | loser SF1 vs loser SF2 | | 3 rd to 4 th | finals |
| | winner SF1 vs winner SF2 | | 1 st to 2 nd | |
| Ranking | Qualifications: winner/loser of the direct matches (golden goal) or sum of points/goal average scored in each match of the triangular 1 st to 4 th : winner/loser of the semifinals and finals (golden goal) 5 th to 7 th : sum of the points/goal average of the forward & return triangular | | | |
| Drawing for Champions League | <ul style="list-style-type: none"> Basket A: Head of Series, 1st, 2nd and 3rd of the FIHB Nations Ranking or the higher in the ranking for the category involved Basket B: all the other teams | | | |
| Drawing phases for Champions League | Phase | Group 1 (A, B) | Group 2 (C, D) | Group 3 (E, F, G) |
| | 1 | | | 1x Basket B=E |
| | 2 | | 1x Basket B=C | |
| | 3 | 1x Basket B=A | | |
| | 4 | | | 1x Basket B=F |
| | 5 | | 1x Basket A=D | |
| | 6 | 1x Basket A=B | | |
| | 7 | | | 1x Basket A=G |
| Drawing for International Event | Full drawing among all teams: <ul style="list-style-type: none"> Basket A: name of the teams | | | |
| Drawing phases for International Event | Phase | Group 1 (A, B) | Group 2 (C, D) | Group 3 (E, F, G) |
| | 1 | | | 1x Basket A=E |
| | 2 | | 1x Basket A=C | |
| | 3 | 1x Basket A=A | | |
| | 4 | | | 1x Basket A=F |
| | 5 | | 1x Basket A=D | |
| | 6 | 1x Basket A=B | | |
| | 7 | | | 1x Basket A=G |

10.6 – Competition method for event with 8 teams

| 8 TEAMS | OPTION 1 | | |
|-------------------------------------------|----------------------------------------------------------------------------------------------------------------------------------------------------------------------------------------------------------------------------------------------------------------------------------------------------------------|------------------------------------|--------------------------------------------------------------------------|
| Event | <ul style="list-style-type: none"> Continental Championships World Championships | | |
| Description | Qualifications with 2 groups G1, G2) of 4 teams all against all then finals | | |
| Teams | A, B, C, D, E, F, G, H | | |
| Day 1 | G1: A vs B | G1: C vs D | qualifications: 2 gr.of 4 teams G1 (A, B, C, D) G2 (E, F, G, H) |
| | G2: E vs F | G2: G vs H | |
| Day 2 | G1: A vs C | G1: B vs D | |
| | G2: E vs G | G2: F vs H | |
| Day 3 | G1: A vs D | G1: B vs C | |
| | G2: E vs H | G2: F vs G | |
| Day 4 | REST | | |
| Day 5 | 4 th G1 vs 4 th G2 | 7 th to 8 th | finals |
| | 3 rd G1 vs 3 rd G2 | 5 th to 6 th | |
| | 2 nd G1 vs 2 nd G2 | 3 rd to 4 th | |
| | 1 st G1 vs 1 st G2 | 1 st to 2 nd | |
| Ranking | Qualifications: sum of the points/goal average scored over all matches of the Day 1...Day 3 1 st -8 th place: winner/loser of the finals (golden goal) | | |
| Drawing for Continental Ch. | Full drawing among all teams: <ul style="list-style-type: none"> Basket A: name of the teams | | |
| Drawing phases for Continental Ch. | Phase | Group 1 (A, B, C, D) | Group 2 (E, F, G, H) |
| | 1 | 1x Basket A=A | |
| | 2 | | 1x Basket A=E |
| | 3 | 1x Basket A=B | |
| | 4 | | 1x Basket A=F |
| | 5 | 1x Basket A=C | |
| | 6 | | 1x Basket A=G |
| | 7 | 1x Basket A=D | |
| 8 | | 1x Basket A=H | |
| Drawing for World Ch. | <ul style="list-style-type: none"> Basket A: Head of Series, 1st and 2nd of the FIHB Nations Ranking or the higher in the ranking for the category involved Basket B: other EU Nations Basket C: non EU Nations (2 non EU Nations in the example below) | | |
| Drawing phases for World Ch. | Phase | Group 1 (A, B, C, D) | Group 2 (E, F, G, H) |
| | 1 | 1x Basket C=A | |
| | 2 | | 1x Basket C=E |
| | 3 | 1x Basket B=B | |
| | 4 | | 1x Basket B=F |
| | 5 | 1x Basket B=C | |
| | 6 | | 1x Basket B=G |
| | 7 | 1x Basket A=D | |
| 8 | | 1x Basket A=H | |

| 8 TEAMS | OPTION 2 | | | | |
|-------------------------------------------|----------------------------------------------------------------------------------------------------------------------------------------------------------------------------------------------------------------------------------------------------------------------------------------------------------------|-----------------------|--------------------------------------|-----------------------|-----------------------|
| Event | <ul style="list-style-type: none"> Continental Championships World Championships | | | | |
| Description | Qualifications with 4 groups (G1, G2, G3, G4) with 4 direct matches on Day 1 and winners vs losers on Day 2, then semifinals and finals | | | | |
| Teams | A, B, C, D, E, F, G, H | | | | |
| Day 1 | A vs B | C vs D | E vs F | G vs H | |
| Day 2 | winner AB vs loser CD | | or cross by drawing winners & losers | | qualifications |
| | winner CD vs loser EF | | | | |
| | winner EF vs loser GH | | | | |
| | winner GH vs loser AB | | | | |
| Day 3 | REST | | | | |
| Day 4 | loser W.AB-L.CD vs loser W.CD-L.EF | | 5 th to 8 th | semifinal 1 | |
| | loser W.EF-L.GH vs loser W.GH-L.AB | | | semifinal 2 | |
| | winner W.AB-L.CD vs winner W.CD-L.EF | | 1 st to 4 th | semifinal 3 | |
| | winner W.EF-L.GH vs winner W.GH-L.AB | | | semifinal 4 | |
| Day 5 | loser SF3 vs loser SF4 | | 7 th to 8 th | finals | |
| | winner SF3 vs winner SF4 | | 5 th to 6 th | | |
| | loser SF1 vs loser SF2 | | 3 rd to 4 th | | |
| | winner SF1 vs winner SF2 | | 1 st to 2 nd | | |
| Ranking | Qualifications: winner/loser of the matches of the Day 1 and Day 2 (golden goal) 1 st -8 th place: winner/loser of the semifinals and finals (golden goal) | | | | |
| Drawing for Continental Ch. | Full drawing among all teams: <ul style="list-style-type: none"> Basket A: name of the teams | | | | |
| Drawing phases for Continental Ch. | Phase | Group 1 (A, B) | Group 2 (C, D) | Group 3 (E, F) | Group 4 (G, H) |
| | 1 | 1x Basket A=A | | | |
| | 2 | | 1x Basket A=C | | |
| | 3 | | | 1x Basket A=E | |
| | 4 | | | | 1x Basket A=G |
| | 5 | 1x Basket A=B | | | |
| | 6 | | 1x Basket A=D | | |
| | 7 | | | 1x Basket A=F | |
| 8 | | | | 1x Basket A=H | |
| Drawing for World Ch. | <ul style="list-style-type: none"> Basket A: Head of Series, 1st and 2nd of the FIHB Nations Ranking or the higher in the ranking for the category involved Basket B: other EU Nations Basket C: non EU Nations (2 non EU Nations in the example below) | | | | |
| Drawing phases for World Ch. | Phase | Group 1 (A, B) | Group 2 (C, D) | Group 3 (E, F) | Group 4 (G, H) |
| | 1 | 1x Basket C=A | | | |
| | 2 | | 1x Basket C=C | | |
| | 3 | | | 1x Basket B=E | |
| | 4 | | | | 1x Basket B=G |
| | 5 | 1x Basket B=B | | | |
| | 6 | | 1x Basket B=D | | |
| | 7 | | | 1x Basket A=F | |
| 8 | | | | 1x Basket A=H | |

| 8 TEAMS | OPTION 3 | |
|-------------|-------------------------------------------------------------------------------------------------------------------------------------------------------------------------------------------------------------------------------------------------------------------------------------------------------------------------------------------------------------------------------------------------------------------------------------------------------------------------------------------------------------------------------------------------------------------------------------|--|
| Event | <ul style="list-style-type: none"> Champions League International Event | |
| Description | 4 direct matches each days, after Day 1 the winners play against winners and losers against losers | |
| Teams | A, B, C, D, E, F, G, H | |
| Day 1..3 | <p>The diagram illustrates a tournament bracket for 8 teams (A-H) over three days. On Day 1 (pink background), four direct matches occur: A vs B, C vs D, E vs F, and G vs H. Each match produces a winner and a loser. On Day 2 (green background), the winners from Day 1 play each other, and the losers from Day 1 play each other. On Day 3 (yellow background), the winners from Day 2 play each other, and the losers from Day 2 play each other. The final classification (FINAL CLASSIFICATION) shows the 1st to 8th places based on the results of the Day 3 matches.</p> | |
| Ranking | winner/loser of the matches of the Day 1...Day 3 (golden goal) | |

| | | | | | |
|-----------------------------------------------|----------------------------------------------------------------------------------------------------------------------------------------------------------------------------------------------------------------------------------------------------------------------------------------------------------------------------|-----------------------|-----------------------|-----------------------|----------------------|
| Drawing for Champions League | <ul style="list-style-type: none"> • 1st day: no matches between teams of the same country • Head of Series: A=1st of the FIHB Nations Ranking for the category involved; E=2nd ; C=3rd; G=4th • Basket A: other teams to be drawn | | | | |
| Drawing phases for Champions League | Phase | Team | | | |
| | 1 | 1x Basket A=B | | | |
| | 2 | 1x Basket A=D | | | |
| | 3 | 1x Basket A=F | | | |
| | 4 | 1x Basket A=H | | | |
| Drawing for Internationals Event | <ul style="list-style-type: none"> • 1st day: no matches between teams of the same country • Full drawing among all participating teams • Basket A: name of the teams | | | | |
| Drawing phases for International Event | Phase | Group 1 (A, B) | Group 2 (C, D) | Group 3 (E, F) | Group 4 (G,H) |
| | 1 | 1x Basket A=A | | | |
| | 2 | | 1x Basket A=C | | |
| | 3 | | | 1x Basket A=E | |
| | 4 | | | | 1x Basket A=G |
| | 5 | 1x Basket A=B | | | |
| | 6 | | 1x Basket A=D | | |
| | 7 | | | 1x Basket A=F | |
| | 8 | | | | 1x Basket A=H |

10.7 – Competition method for event with 9 teams

| 9 TEAMS | OPTION 1 | | | |
|-------------------------------------|------------------------------------------------------------------------------------------------------------------------------------------------------------------------------------------------------------------------------------------------------------------------------------------------------------------------------------------------------------------------------------------------------------------------------------------------------------|--------------------------|------------------------------------|----------------------------------------------------------------------------------------------------------------------------------------------------------------------------------------------------------------------------------|
| Event | <ul style="list-style-type: none"> World Championships | | | |
| Description | Qualifications with 3 groups (G1, G2, G3) of 3 teams all against all in each group then finals with 3 groups (G4, G5, G6) of 3 teams (G4=group with all the 1 st teams for the 1 st -3 rd place, G5=group with all the 2 nd teams for the 4 th -6 th place and G6=group with all the 3 rd teams for the 7 th -9 th place) all against all in each group | | | |
| Teams | A, B, C, D, E, F, G, H, I | | | |
| Day 1 | G1: A vs B | G2: D vs E | G3: G vs H | qualifications: 3 gr.of 3 teams G1 (A, B, C) G2 (D, E, F) G3 (G, H, I) |
| Day 2 | G1: B vs C | G2: E vs F | G3: H vs I | |
| Day 3 | G1: C vs A | G2: F vs D | G3: I vs G | |
| Day 4 | G6: 3 rd G1 vs 3 rd G2 | | 7 th to 9 th | finals: 3 gr.of 3 teams G4 (1 st G1, 1 st G2, 1 st G3) G5 (2 nd G1, 2 nd G2, 2 nd G3) G6 (3 rd G1, 3 rd G2, 3 rd G3) |
| | G5: 2 nd G1 vs 2 nd G2 | | 4 th to 6 th | |
| | G4: 1 st G1 vs 1 st G2 | | 1 st to 3 rd | |
| Day 5 | G6: 3 rd G2 vs 3 rd G3 | | 7 th to 9 th | |
| | G5: 2 nd G2 vs 2 nd G3 | | 4 th to 6 th | |
| | G4: 1 st G2 vs 1 st G3 | | 1 st to 3 rd | |
| Day 6 | G6: 3 rd G3 vs 3 rd G1 | | 7 th to 9 th | |
| | G5: 2 nd G3 vs 2 nd G1 | | 4 th to 6 th | |
| | G4: 1 st G3 vs 1 st G1 | | 1 st to 3 rd | |
| Ranking | Qualifications: sum of the points/goal average scored over all matches of the Day 1...Day 3 for each group Finals: sum of the points/goal average scored over al matches of the Day 4...Day 6 for each group | | | |
| Drawing for World Ch. | <ul style="list-style-type: none"> Basket A: Head of Series, 1st, 2nd and 3rd of the FIHB Nations Ranking or the higher in the ranking for the category involved Basket B: other EU Nations Basket C: non EU Nations (3 non EU Nations in the example below) | | | |
| Drawing phases for World Ch. | Phase | Group 1 (A, B, C) | Group 2 (D, E, F) | Group 3 (G, H, I) |
| | 1 | 1x Basket C=A | | |
| | 2 | | 1x Basket C=D | |
| | 3 | | | 1x Basket C=G |
| | 4 | 1x Basket B=B | | |
| | 5 | | 1x Basket B=E | |
| | 6 | | | 1x Basket B=H |
| | 7 | 1x Basket A=C | | |
| | 8 | | 1x Basket A=F | |
| 9 | | | 1x Basket A=I | |

| 9 TEAMS | OPTION 2 | | | |
|-----------------------|--------------------------------------------------------------------------------------------------------------------------------------------------------------------------------------------------------------------------------------------------------------------------------------------------------------------------------------------------------------|--------------------------|------------------------------------|--------------------------|
| Event | <ul style="list-style-type: none"> International Event | | | |
| Description | Qualifications with 3 groups (G1, G2, G3) of 3 teams that play a triangular: at the end of the Day 1 an overall ranking is calculated taking into account the sum of points/goal average scored by each team. On Day 2, based on the overall ranking of Day 1, 3 direct matches (2 semifinals) and a triangular in order to establish the finals on Day 3 | | | |
| Teams | A, B, C, D, E, F, G, H, I | | | |
| Day 1 | triangular A, B, C | triangular D, E, F | triangular G, H, I | qualifications |
| Day 2 | triangular 7 th , 8 th , 9 th | | | |
| | 5 th vs 6 th | | | |
| | 1 st vs 4 th | | | semifinal 1 |
| | 2 nd vs 3 rd | | | semifinal 2 |
| Day 3 | 2 nd 7 th -8 th -9 th vs 3 rd 7 th -8 th -9 th | | 8 th to 9 th | finals |
| | 1 st 7 th -8 th -9 th vs loser 5 th -6 th | | 6 th to 7 th | |
| | triangular loser SF1, loser SF2, winner 5 th -6 th | | 3 rd to 5 th | |
| | winner SF1 vs winner SF2 | | 1 st to 2 nd | |
| Ranking | Qualifications: sum of the points/goal average scored over all matches of the Day 1 Semifinals and Finals: for the triangular, sum of the points/goal average scored in each match while for the direct matches, winner/loser (golden goal) | | | |
| Drawing | Full drawing among all teams: <ul style="list-style-type: none"> Basket A: name of the teams | | | |
| Drawing phases | Phase | Group 1 (A, B, C) | Group 2 (D, E, F) | Group 3 (G, H, I) |
| | 1 | 1x Basket A=A | | |
| | 2 | | 1x Basket A=D | |
| | 3 | | | 1x Basket A=G |
| | 4 | 1x Basket A=B | | |
| | 5 | | 1x Basket A=E | |
| | 6 | | | 1x Basket A=H |
| | 7 | 1x Basket A=C | | |
| | 8 | | 1x Basket A=F | |
| 9 | | | 1x Basket A=I | |

10.8 – Competition method for event with 10 teams

| 10 TEAMS | OPTION 1 | | | | | |
|-------------------------------------|----------------------------------------------------------------------------------------------------------------------------------------------------------------------------------------------------------------------------------------------------------------------------------------------------------------------------------------------------------------------------------------------------------------------------------------------------------------------------------------------------------------------------------------------------------------------------|------------------------|-------------------------------------|------------------------------------|------------------|-------------------------|
| Event | <ul style="list-style-type: none"> World Championships | | | | | |
| Description | Qualifications with 5 direct matches The 4 worst losers of Day 1 play an all against all for the 7 th to 10 th place in Day 2, Day 4 and Day 5 The 5 winners and the best loser of Day 1 play 3 direct matches on Day 2, then: <ul style="list-style-type: none"> the 2 worst losers play a forward and a return match for the 5th to 6th place in Day 4 and Day 5 the 3 winners and the best loser play semifinals and finals for the 1st to 4th place in Day 4 and Day 5 | | | | | |
| Teams | A, B, C, D, E, F, G, H, I, J | | | | | |
| Day 1 | A (HoS 1) vs F | result = w1 and l1 | | | Qualifications | |
| | B vs G | result = w2 and l2 | | | | |
| | C (HosS 3) vs H | result = w3 and l3 | | | | |
| | D vs I | result = w4 and l4 | | | | |
| | E (HoS 2) vs J | result = w5 and l5 | | | | |
| Day 2 | lw vs lx | 4 worst losers Day 1 | 7 th to 10 th | all against all | | |
| | ly vs lz | | | | | |
| | w1 vs w2 | result = W1 and L1 | | 1 st to 6 th | | |
| | w3 vs w4 | result = W2 and L2 | | | | |
| | w5 vs best ln | result = W3 and L3 | | | | |
| Day 3 | REST | | | | | |
| Day 4 | lw vs ly | 4 worst losers Day 1 | 7 th to 10 th | all against all | | |
| | lx vs lz | | | | | |
| | Ly vs Lz | 2 worst losers Day 2 | | 5 th to 6 th | forward math | |
| | W1 vs W2 | | 1 st to 4 th | semifinal 1 | | |
| | W3 vs best Ln | | | semifinal 2 | | |
| Day 5 | lw vs lz | 4 worst losers Day 1 | 7 th to 10 th | all against all | | |
| | lx vs ly | | | | | |
| | Ly vs Lz | 2 worst losers Day 2 | | 5 th to 6 th | return match | |
| | loser SF1 vs loser SF2 | | 3 rd to 4 th | | Finals | |
| | winner SF1 vs winner SF2 | | 1 st to 2 nd | | | |
| Ranking | Qualifications: winner/loser of the direct matches (golden goal) 7 th to 10 th : sum of the points/goal average scored over all matches of the Day 2...Day 5 5 th to 6 th : sum of the points/goal average scored over the forward and return matches of the Day 4 and Day 5 Other direct matches, semifinals and finals: winner/loser (golden goal) | | | | | |
| Drawing for World Ch. | <ul style="list-style-type: none"> Head of Series, 1st (= letter A), 2nd (= letter E) and 3rd (= letter C) of the FIHB Nations Ranking or the higher in the ranking for the category involved Basket A: other EU Nations and non EU Nations | | | | | |
| Drawing phases for World Ch. | Phase | match A-F | match B-G | match C-H | match D-I | match E-J |
| | 1 | HoS 1 st =A | | HoS 3 rd =C | | HoS 2 nd = E |
| | 2 | | 1x Bask.A=B | | | |
| | 3 | | | | 1x Bask.A=D | |
| | 4 | 1x Bask.A=F | | | | |
| | 5 | | 1x Bask.A=G | | | |
| | 6 | | | 1x Bask.A=H | | |
| | 7 | | | | 1x Bask.A=I | |
| 8 | | | | | 1x Bask.A=J | |

| 10 TEAMS | OPTION 2 | | | | | |
|-----------------------|--------------------------------------------------------------------------------------------------------------------------------------------------------------------------------------------------------------------------------------------------------------------------------------------------------------------------------------------------------------------------------------------------------------------------------------------------------------------------------------------------------------------------------------------------------------|----------------------------------------------------------|------------------|-------------------------------------|------------------|-------------------------------------|
| Event | <ul style="list-style-type: none"> International Event | | | | | |
| Description | <p>Qualifications with 5 direct matches The 4 worst losers of Day 1 play semifinals and finals for the 7th to 10th place on Day 2 and Day 3 The 5 winners and the best loser of Day 1 play 2 triangular matches on Day 2 and then finals on Day 3 with direct matches between the 3rd teams for the 5th to 6th place, between the 2nd teams for the 3rd to 4th place and between the 1st teams for the 1st to 2nd place</p> | | | | | |
| Teams | A, B, C, D, E, F, G, H, I, J | | | | | |
| Day 1 | A vs F | B vs G | C vs H | D vs I | E vs J | qualifications |
| Day 2 | match 1 | 2 nd best loser vs 5 th best loser | | | | 7 th to 10 th |
| | match 2 | 3 rd best loser vs 4 th best loser | | | | |
| | match 3 | triangular winner DI, winner EJ, best loser | | | | 1 st to 6 th |
| | match 4 | triangular winner AF, winner BG, winner CH | | | | |
| Day 3 | loser match 1 vs loser match 2 | | | 9 th to 10 th | | finals |
| | winner match 1 vs winner match 2 | | | 7 th to 8 th | | |
| | 3 rd match 3 vs 3 rd match 4 | | | 5 th to 6 th | | |
| | 2 nd match 3 vs 2 nd match 4 | | | 3 rd to 4 th | | |
| | 2 nd match 3 vs 2 nd match 4 | | | 1 st to 2 nd | | |
| Ranking | <p>Qualifications: winner/loser of the direct matches (golden goal) 7th to 10th: semifinals and finals with winner/loser (golden goal) 1st to 6th: sum of the points/goal average scored over all matches for each triangular of the Day 2 then winner/loser (golden goal) for the finals on Day 3</p> | | | | | |
| Drawing | <p>Full drawing among all teams:</p> <ul style="list-style-type: none"> Basket A: name of the teams | | | | | |
| Drawing phases | Phase | match A-F | match B-G | match C-H | match D-I | match E-J |
| | 1 | 1x Bask.A=A | | | | |
| | 2 | | 1x Bask.A=B | | | |
| | 3 | | | 1x Bask.A=C | | |
| | 4 | | | | 1x Bask.A=D | |
| | 5 | | | | | 1x Bask.A=E |
| | 6 | 1x Bask.A=F | | | | |
| | 7 | | 1x Bask.A=G | | | |
| | 8 | | | 1x Bask.A=H | | |
| | 9 | | | | 1x Bask.A=I | |
| 10 | | | | | 1x Bask.A=J | |

10.9 – Competition method for event with 11 teams

| 11 TEAMS | OPTION 1 | | | | |
|------------------------------------------|-----------------------------------------------------------------------------------------------------------------------------------------------------------------------------------------------------------------------------------------------------------------------------------------------------------------------------------------------------------------------------------------------------------------------------------|------------------------------------|----------------------------------------------------------------------------------------------------------|---------------------------------------------------------------------------------------------------------------------|-----------------------|
| Event | <ul style="list-style-type: none"> World Championships | | | | |
| Description | Qualifications with 3 groups (G1, G2, G3) of 3 teams all against all in each group and 1 group (G4) of 2 teams with a forward and return match 9 th to 11 th : the 3 3 rd teams of group G1, G2, G3, play a forward and return triangular 1 st to 8 th : the 4 1 st teams and 4 2 nd teams of group G1, G2, G3, G4, play semifinals and finals | | | | |
| Teams | A, B, C, D, E, F, G, H, I, J, K | | | | |
| Day 1 | G1: A vs B | G2: D vs E | HoS 1 st = C HoS 2 nd = K HoS 3 rd = F HoS 4 th = I | qualifications: 3 gr. of 3 teams G1 (A, B, C) G2 (D, E, F) G3 (G, H, I) 1gr. of 2 teams G4 (J, K) | |
| | G3: G vs H | G4: J vs K | | | |
| Day 2 | G1: B vs C | G2: E vs F | | | |
| | G3: H vs I | G4: K vs J | | | |
| Day 3 | G1: C vs A | G2: F vs D | | | |
| | G3: I vs G | G4: rest | | | |
| Day 4 | REST | | | | |
| Day 5 | triangular 3 rd G1, 3 rd G2, 3 rd G3 | | 9 th to 11 th | forward triangular | |
| | 2 nd G1 vs 2 nd G2 | | 5 th to 8 th | semifinal 3 | |
| | 2 nd G3 vs 2 nd G4 | | | semifinal 4 | |
| | 1 st G1 vs 1 st G2 | | 1 st to 4 th | semifinal 1 | |
| 1 st G3 vs 1 st G4 | | semifinal 2 | | | |
| Day 6 | triangular 3 rd G1, 3 rd G2, 3 rd G3 | | 9 th to 11 th | return triangular | |
| | loser SF3 vs loser SF4 | | 7 th to 8 th | finals | |
| | winner SF3 vs winner SF4 | | 5 th to 6 th | | |
| | loser SF1 vs loser SF2 | | 3 rd to 4 th | | |
| winner SF1 vs winner SF2 | | 1 st to 2 nd | | | |
| Ranking | Qualifications: sum of the points/goal average scored over all matches of the Day 1...Day 3 for each group 9 th to 11 th : sum of the points/goal average scored over al matches of the Day 5 and Day 6 1 st to 8 th : semifinals and finals with winner/loser (golden goal) | | | | |
| Drawing for World Ch. | <ul style="list-style-type: none"> Head of Series, 1st (= letter C), 2nd (= letter K), 3rd (= letter F) and 4th (= letter I) of the FIHB Nations Ranking or the higher in the ranking for the category involved Basket A: other EU Nations Basket B: non EU Nations (4 non EU Nations in the example below) | | | | |
| Drawing phases for World Ch. | Phase | Group 1 (A, B, C) | Group 2 (D, E, F) | Group 3 (G, H, I) | Group 4 (J, K) |
| | 1 | 1x Basket B=A | | | |
| | 2 | | 1x Basket B=D | | |
| | 3 | | | 1x Basket B=G | |
| | 4 | | | | 1x Basket B=J |
| | 5 | 1x Basket A=B | | | |
| | 6 | | 1x Basket A=E | | |
| | 7 | | | 1x Basket A=H | |
| 8 | HoS 1 st = C | HoS 3 rd = F | HoS 4 th = I | HoS 2 nd = K | |

| 11 TEAMS | OPTION 2 | | |
|-----------------------|-----------------------------------------------------------------------------------------------------------------------------------------------------------------------------------------------------------------------------------------------------------------------------------------------------------------------------------------------------------------------------------------------------------------------------|--------------------------------|-------------------------------------|
| Event | <ul style="list-style-type: none"> International Event | | |
| Description | Qualifications with 1 group (G1) of 5 teams with 1 direct match and 1 triangular and 1 group (G2) of 6 teams with 3 direct matches on Day 1 On Day 2, winners vs winners and losers vs losers An overall ranking over Day 1 and Day 2 is used for the final matches on Day 3 | | |
| Teams | A, B, C, D, E, F, G, H, I, J, K | | |
| Day 1 | G1: A vs B | G1: triangular C, D, E | |
| | G2: F vs G | G2: H vs I | G2: J vs K |
| Day 2 | winner AB vs winner FG | | |
| | loser AB vs loser FG | | |
| | winner CDE vs winner HI | | |
| | 2 nd CDE vs winner JK | | |
| | triangular 3 rd CDE, loser JK, loser HI | | |
| Day 3 | triangular 9 th , 10 th , 11 th | | 9 th to 11 th |
| | 7 th vs 8 th | | 7 th to 8 th |
| | 5 th vs 6 th | | 5 th to 6 th |
| | 3 rd vs 4 th | | 3 rd to 4 th |
| | 1 st vs 2 nd | | 1 st to 2 nd |
| Ranking | Qualifications: sum of the points/goal average scored over all matches of the Day 1 and Day 2. Points for direct matches = 3 (winner), 2 (draw), 1 (loser). Points for triangular matches = 1,5 (winner), 1 (draw), 0,5 (loser) 9 th to 11 th : sum of the points/goal average scored over all matches of the Day 3 1 st to 8 th : finals with winner/loser (golden goal) | | |
| Drawing | Full drawing among all teams: <ul style="list-style-type: none"> Basket A: name of the teams | | |
| Drawing phases | Phase | Group 1 (A, B, C, D, E) | Group 2 (F, G, H, I, J, K) |
| | 1 | | 1x Basket A=F |
| | 2 | 1x Basket A=A | |
| | 3 | | 1x Basket A=G |
| | 4 | 1x Basket A=B | |
| | 5 | | 1x Basket A=H |
| | 6 | 1x Basket A=C | |
| | 7 | | 1x Basket A=I |
| | 8 | 1x Basket A=D | |
| | 9 | | 1x Basket A=J |
| | 10 | 1x Basket A=E | |
| 11 | | 1x Basket A=K | |

| 11 TEAMS | OPTION 3 | | | | |
|-----------------------|--------------------------------------------------------------------------------------------------------------------------------------------------------------------------------------------------------------------------------------------------------------------------------------------------------------------------------------------------------------------------|----------------------------------------------------------------|------------------------|------------------------|-----------------------|
| Event | <ul style="list-style-type: none"> International Event | | | | |
| Description | Qualifications with 3 groups (G1, G2, G3) of 3 teams with 1 triangular and 1 group (G4) of 2 teams with 1 direct match on Day 1 An overall ranking over Day 1 is used for the semifinas and finals matches on Day 2 and Day 3 | | | | |
| Teams | A, B, C, D, E, F, G, H, I, J, K | | | | |
| Day 1 | G1: triangular A, B, C | G2: triangular D, E, F | | qualifications | |
| | G3: triangular G, H, I | G4: J vs K | | | |
| Day 2 | match 1 | 10 th vs 11 th | | | |
| | match 2 | 8 th vs 9 th | | | |
| | match 3 | triangular 5 th , 6 th , 7 th | | | |
| | match 4 | 1 st vs 4 th | | semifinal 1 | |
| | match 5 | 2 nd vs 3 rd | | semifinal 2 | |
| Day 3 | triangular loser m.2, winner & loser m.1 | 9 th to 11 th | | finals | |
| | triangular 2 nd and 3 rd m.3, winner m.2 | 6 th to 8 th | | | |
| | triangular loser m.4, loser m.5, winner m.3 | 3 rd to 5 th | | | |
| | winner match 4 vs winner match 5 | 1 st to 2 nd | | | |
| Ranking | Qualifications: sum of the points/goal average scored over all matches of the Day 1. Points for direct match = 3 (winner), 2 (draw), 1 (loser). Points for triangular matches = 1,5 (winner), 1 (draw), 0,5 (loser) Day 2 and Day 3: sum of the points/goal average scored over al matches of each triangular while winner/loser (golden goal) for the direct matches | | | | |
| Drawing | Full drawing among all teams: <ul style="list-style-type: none"> Basket A: name of the teams | | | | |
| Drawing phases | Phase | Group 1 (A,B,C) | Group 2 (D,E,F) | Group 3 (G,H,I) | Group 4 (J, K) |
| | 1 | 1x Basket A=A | | | |
| | 2 | | 1x Basket A=D | | |
| | 3 | | | 1x Basket A=G | |
| | 4 | | | | 1x Basket A=J |
| | 5 | 1x Basket A=B | | | |
| | 6 | | 1x Basket A=E | | |
| | 7 | | | 1x Basket A=H | |
| | 8 | | | | 1x Basket A=K |
| | 9 | 1x Basket A=C | | | |
| | 10 | | 1x Basket A=F | | |
| 11 | | | 1x Basket A=I | | |

10.10 – Competition method for event with 12 teams

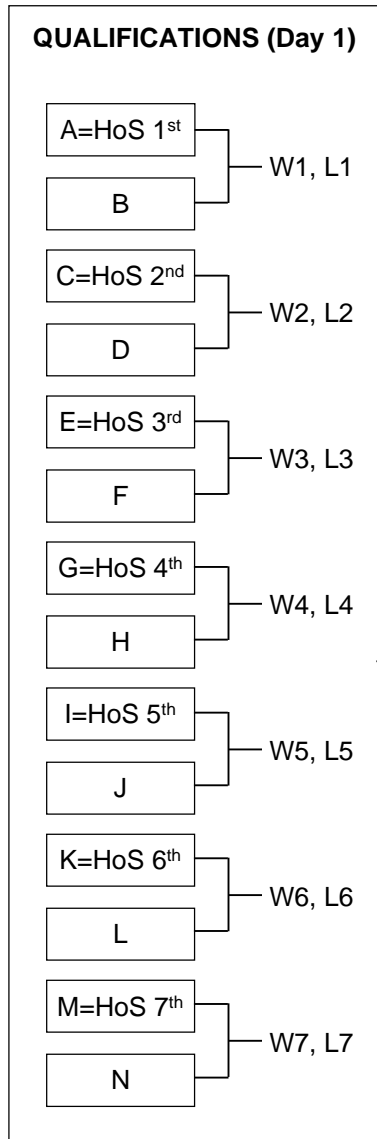
| 12 TEAMS | OPTION 1 | | | | |
|-------------------------------------|------------------------------------------------------------------------------------------------------------------------------------------------------------------------------------------------------------------------------------------------------------------------------------------------------------------------------------------------------------------------------------------------|--------------------------|----------------------------------------------------------------------------------------------------------|-----------------------------------------------------------------------------------------------------|--------------------------|
| Event | • World Championships | | | | |
| Description | Qualifications with 4 groups (G1, G2, G3, G4) of 3 teams all against all in each group then semifinals and finals | | | | |
| Teams | A, B, C, D, E, F, G, H, I, J, K, L | | | | |
| Day 1 | G1: A vs B | G2: D vs E | HoS 1 st = C HoS 2 nd = L HoS 3 rd = F HoS 4 th = I | qualifications: 4 gr. of 3 teams G1 (A, B, C) G2 (D, E, F) G3 (G, H, I) G4 (J, K, L) | |
| | G3: G vs H | G4: J vs K | | | |
| Day 2 | G1: B vs C | G2: E vs F | | | |
| | G3: H vs I | G4: K vs L | | | |
| Day 3 | G1: C vs A | G2: F vs D | | | |
| | G3: I vs G | G4: L vs J | | | |
| Day 4 | REST | | | | |
| Day 5 | 3 rd G1 vs 3 rd G2 | | 9 th to 12 th | semifinal 5 | |
| | 3 rd G3 vs 3 rd G4 | | | semifinal 6 | |
| | 2 nd G1 vs 2 nd G2 | | 5 th to 8 th | semifinal 3 | |
| | 2 nd G3 vs 2 nd G4 | | | semifinal 4 | |
| | 1 st G1 vs 1 st G2 | | 1 st to 4 th | semifinal 1 | |
| | 1 st G3 vs 1 st G4 | | | semifinal 2 | |
| Day 6 | loser SF5 vs loser SF6 | | 11 th to 12 th | finals | |
| | winner SF5 vs winner SF6 | | 9 th to 10 th | | |
| | loser SF3 vs loser SF4 | | 7 th to 8 th | | |
| | winner SF3 vs winner SF4 | | 5 th to 6 th | | |
| | loser SF1 vs loser SF2 | | 3 rd to 4 th | | |
| | winner SF1 vs winner SF2 | | 1 st to 2 nd | | |
| Ranking | Qualifications: sum of the points/goal average scored over all matches of the Day 1...Day 3 for each group Semifinals and finals with winner/loser (golden goal) | | | | |
| Drawing for World Ch. | <ul style="list-style-type: none"> • Head of Series, 1st (= letter C), 2nd (= letter L), 3rd (= letter F) and 4th (= letter I) of the FIHB Nations Ranking or the higher in the ranking for the category involved • Basket B: other EU Nations • Basket C: non EU Nations (4 non EU Nations in the example below) | | | | |
| Drawing phases for World Ch. | Phase | Group 1 (A, B, C) | Group 2 (D, E, F) | Group 3 (G, H, I) | Group 4 (J, K, L) |
| | 1 | 1x Basket B=A | | | |
| | 2 | | 1x Basket B=D | | |
| | 3 | | | 1x Basket B=G | |
| | 4 | | | | 1x Basket B=J |
| | 5 | 1x Basket A=B | | | |
| | 6 | | 1x Basket A=E | | |
| | 7 | | | 1x Basket A=H | |
| | 8 | | | | 1x Basket A=K |
| 9 | HoS 1 st = C | HoS 3 rd = F | HoS 4 th = I | HoS 2 nd = L | |

| 12 TEAMS | OPTION 2 | | | | | | | | | |
|-----------------------|--------------------------------------------------------------------------------------------------------------------------------------------------------------------------------------|----------------------|--------------------------------------|-----------------|-----------------|-----------------|-----------------|--------|--|--|
| Event | <ul style="list-style-type: none"> International Event | | | | | | | | | |
| Description | Qualifications with 6 direct matches on Day 1 On Day 2, winners vs winners and losers vs losers An overall ranking over Day 1 and Day 2 is used for the final matches on Day 3 | | | | | | | | | |
| Teams | A, B, C, D, E, F, G, H, I, J, K, L | | | | | | | | | |
| Day 1 | A vs B | C vs D | E vs F | qualifications | | | | | | |
| | G vs H | I vs J | K vs L | | | | | | | |
| Day 2 | winner AB vs winner CD | loser AB vs loser CD | | | | | | finals | | |
| | winner EF vs winner GH | loser EF vs loser GH | | | | | | | | |
| | winner IJ vs winner KL | loser IJ vs loser KL | | | | | | | | |
| Day 3 | 11 th vs 12 th | | 11 th to 12 th | | | | | finals | | |
| | 9 th vs 10 th | | 9 th to 10 th | | | | | | | |
| | 7 th vs 8 th | | 7 th to 8 th | | | | | | | |
| | 5 th vs 6 th | | 5 th to 6 th | | | | | | | |
| | 3 rd vs 4 th | | 3 rd to 4 th | | | | | | | |
| | 1 st vs 2 nd | | 1 st to 2 nd | | | | | | | |
| Ranking | Qualifications: sum of the points/goal average scored over all matches of the Day 1 and Day 2. 1 st to 12 th : finals with winner/loser (golden goal) | | | | | | | | | |
| Drawing | Full drawing among all teams: <ul style="list-style-type: none"> Basket A: name of the teams | | | | | | | | | |
| Drawing phases | Phase | Match AB | Match CD | Match EF | Match GH | Match IJ | Match KL | | | |
| | 1 | 1x B.A=A | | | | | | | | |
| | 2 | | 1x B.A=C | | | | | | | |
| | 3 | | | 1x B.A=E | | | | | | |
| | 4 | | | | 1x B.A=G | | | | | |
| | 5 | | | | | 1x B.A=I | | | | |
| | 6 | | | | | | 1x B.A=K | | | |
| | 7 | 1x B.A=B | | | | | | | | |
| | 8 | | 1x B.A=D | | | | | | | |
| | 9 | | | 1x B.A=F | | | | | | |
| | 10 | | | | 1x B.A=H | | | | | |
| | 11 | | | | | 1x B.A=J | | | | |
| 12 | | | | | | 1x B.A=L | | | | |

| 12 TEAMS | OPTION 3 | | | | | | |
|-----------------------|----------------------------------------------------------------------------------------------------------------------------------------------------------------------------------------|-----------------|------------------------|-----------------|--------------------------------------|-----------------|-----------------|
| Event | <ul style="list-style-type: none"> International Event | | | | | | |
| Description | Qualifications with 4 groups (G1, G2, G3, G4) of 3 teams with 4 triangulars on Day 1 An overall ranking over Day 1 is used for the semifinals and finals matches on Day 2 and Day 3 | | | | | | |
| Teams | A, B, C, D, E, F, G, H, I, J, K, L | | | | | | |
| Day 1 | G1: triangular A, B, C | | G2: triangular D, E, F | | Qualifications | | |
| | G3: triangular G, H, I | | G4: triangular J, K, L | | | | |
| Day 2 | 9 th vs 12 th | | semifinal 5 | | 9 th to 12 th | | |
| | 10 th vs 11 th | | semifinal 6 | | | | |
| | 5 th to 8 th | | semifinal 3 | | 5 th to 8 th | | |
| | 6 th to 7 th | | semifinal 4 | | | | |
| | 1 st to 4 th | | semifinal 1 | | 1 st to 4 th | | |
| | 2 nd to 3 rd | | semifinal 2 | | | | |
| Day 3 | loser SF5 vs loser SF6 | | | | 11 th to 12 th | | |
| | winner SF5 vs winner SF6 | | | | 9 th to 10 th | | |
| | loser SF3 vs loser SF4 | | | | 7 th to 8 th | | |
| | winner SF3 vs winner SF4 | | | | 5 th to 6 th | | |
| | loser SF1 vs loser SF2 | | | | 3 rd to 4 th | | |
| | winner SF1 vs winner SF2 | | | | 1 st to 2 nd | | |
| Ranking | Qualifications: sum of the points/goal average scored over all matches of the Day 1 1 st to 12 th : semifinals and finals with winner/loser (golden goal) | | | | | | |
| Drawing | Full drawing among all teams: <ul style="list-style-type: none"> Basket A: name of the teams | | | | | | |
| Drawing phases | Phase | Match AB | Match CD | Match EF | Match GH | Match IJ | Match KL |
| | 1 | 1x B.A=A | | | | | |
| | 2 | | 1x B.A=C | | | | |
| | 3 | | | 1x B.A=E | | | |
| | 4 | | | | 1x B.A=G | | |
| | 5 | | | | | 1x B.A=I | |
| | 6 | | | | | | 1x B.A=K |
| | 7 | 1x B.A=B | | | | | |
| | 8 | | 1x B.A=D | | | | |
| | 9 | | | 1x B.A=F | | | |
| | 10 | | | | 1x B.A=H | | |
| | 11 | | | | | 1x B.A=J | |
| 12 | | | | | | 1x B.A=L | |

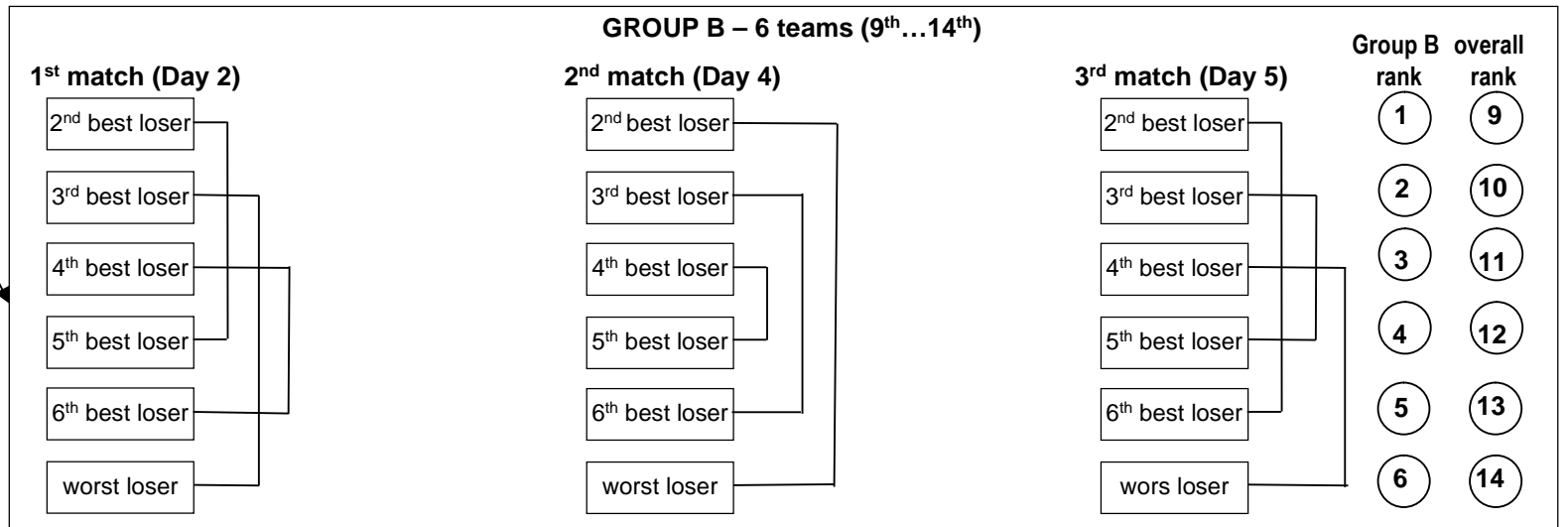
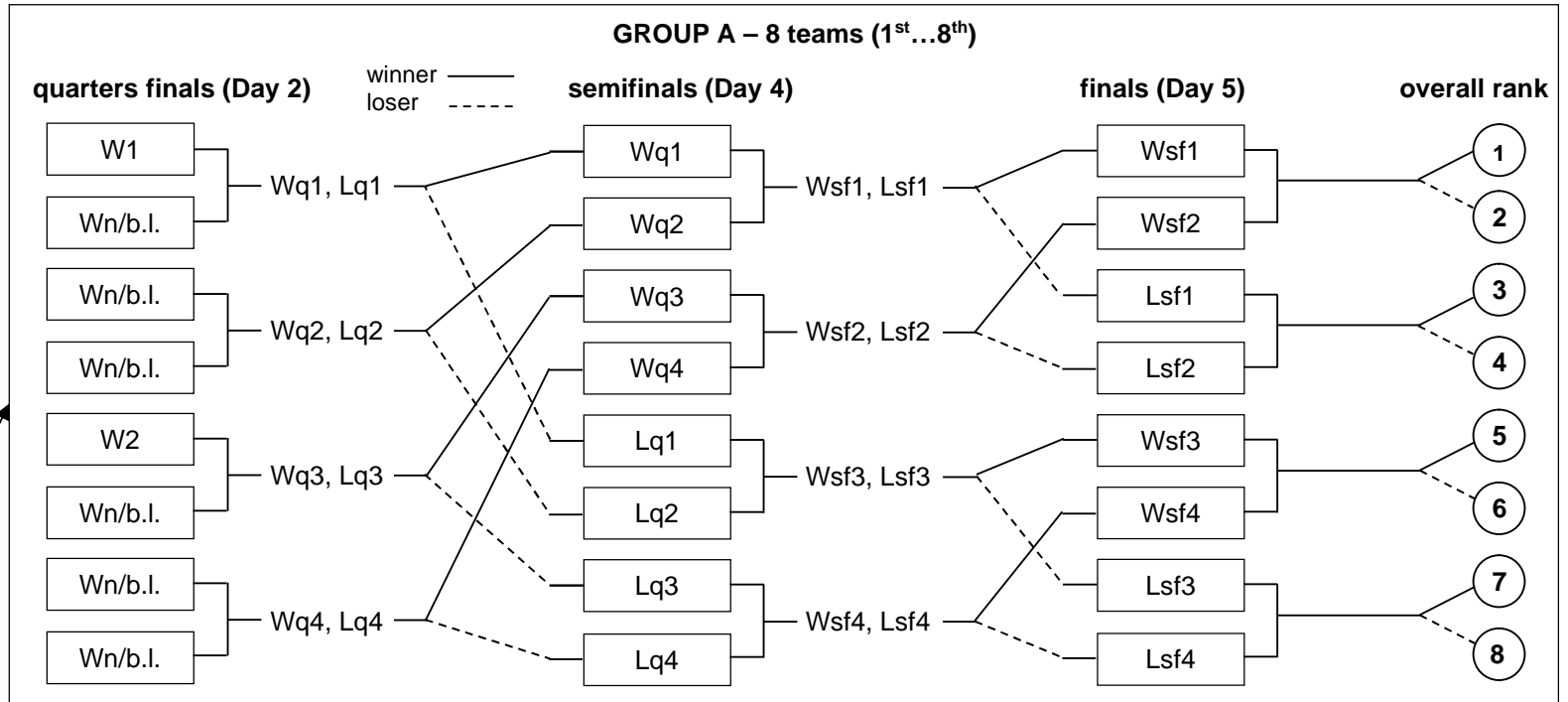
10.11 – Competition method for event with 14 teams

| 14 TEAMS | OPTION 1 | | | | | | | |
|----------------------------------------------------------|-------------------------------------------------------------------------------------------------------------------------------------------------------------------------------------------------------------------------------------------------------------------------------------------------------------------------------------------------------------------------------------------------------------------------------------------------|----------------------------------------------------|------------------------|---------------------------------------------------------------------------------------------------------------------------------------------------------------------------------------------------------------------------------------------------------------------------------------------------------------|----------------------------------------------------------------------------------------------------------------------------------------|------------------------|------------------------|------------------------|
| Event | <ul style="list-style-type: none"> World Championships | | | | | | | |
| Description | Qualifications with 7 direct matches. Then 2 groups are specified as follow: <ul style="list-style-type: none"> Group A: the 7 winners and the best loser play quarter finals, semifinals and finals for 1st to 8th place; Group B: the other 6 losers will play among them for 1st to the 6th place of Group B (overall ranking: 9th to 14th place). | | | | | | | |
| Teams | A, B, C, D, E, F, G, H, I, J, K, L, M, N | | | | | | | |
| Day 1 | A (HoS 1) vs B | result = W1 and L1 | | Qualifications: with 7 winners (W1..W7) and 7 losers (L1..L7); the 7 losers are then ranked from the best loser till the worst loser (best loser, 2 nd best loser, 3 rd best loser, 4 th best loser, 5 th best loser, 6 th best loser, worst loser) | | | | |
| | C (HoS 2) vs D | result = W2 and L2 | | | | | | |
| | E (HoS 3) vs F | result = W3 and L3 | | | | | | |
| | G (HoS 4) vs H | result = W4 and L4 | | | | | | |
| | I (HoS 5) vs J | result = W5 and L5 | | | | | | |
| | K (HoS 6) vs L | result = W6 and L6 | | | | | | |
| | M (HoS 7) vs N | result = W7 and L7 | | | | | | |
| Day 2 | W1 vs Wn/best loser | result = Wq1 and Lq1 | | 1 st to 8 th | Group A quarter finals Wn = W3, W4, W5, W6, W7; Wn or best loser by drawing; best loser not against the same team as per Day1 | | | |
| | Wn/b.l. vs Wn/b.l. | result = Wq2 and Lq2 | | | | | | |
| | W2 vs Wn/best loser | result = Wq3 and Lq3 | | | | | | |
| | Wn/b.l. vs Wn/b.l. | result = Wq4 and Lq4 | | | | | | |
| | 2 nd best loser vs 5 th best loser | 1 st match between 6 worst losers Day 1 | | 9 th to 14 th | Group B matches | | | |
| | 3 rd best loser vs worst loser | | | | | | | |
| 4 th best loser vs 6 th best loser | | | | | | | | |
| Day 3 | REST | | | | | | | |
| Day 4 | Wq1 vs Wq2 | result = Wsf1 and Lsf1 | | 1 st to 4 th | Group A semifinals | | | |
| | Wq3 vs Wq4 | result = Wsf2 and Lsf2 | | | | | | |
| | Lq1 vs Lq2 | result = Wsf3 and Lsf3 | | 5 th to 8 th | | | | |
| | Lq3 vs Lq4 | result = Wsf4 and Lsf4 | | | | | | |
| | 2 nd best loser vs worst loser | 2 nd match between 6 worst losers Day 1 | | 9 th to 14 th | Group B matches | | | |
| | 3 rd best loser vs 6 th best loser | | | | | | | |
| 4 th best loser vs 5 th best loser | | | | | | | | |
| Day 5 | Wsf1 vs Wsf2 | | | 1 st to 2 nd | Group A finals 1 st /4 th | | | |
| | Lsf1 vs Lsf2 | | | 3 rd to 4 th | | | | |
| | Wsf3 vs Wsf4 | | | 5 th to 6 th | Group A finals 5 th /8 th | | | |
| | Lsf3 vs Lsf4 | | | 7 th to 8 th | | | | |
| | 2 nd best loser vs 6 th best loser | 3 rd match between 6 worst losers Day 1 | | 9 th to 14 th | Group B matches | | | |
| | 3 rd best loser vs 5 th best loser | | | | | | | |
| 4 th best loser vs worst loser | | | | | | | | |
| Ranking | Qualifications: winner/loser of the direct matches (golden goal) 9 th to 14 th : sum of the points/goal average scored over all matches of the Day 2, Day 4, Day 5 1 st to 8 th : winner/loser of the quarter finals, semifinals and finals (golden goal) | | | | | | | |
| Drawing | <ul style="list-style-type: none"> Head of Series: 1st (=A), 2nd (=C), 3rd (=E), 4th (=G), 5th (=I), 6th (=K), 7th (=M) of the FIHB Nations Ranking, that comprises last 2 FIHB World Cups, or the higher in the ranking for the category involved Basket A: other EU Nations and non EU Nations | | | | | | | |
| Drawing phases | Phase | match A-B | match C-D | match E-F | match G-H | match I-J | match K-L | match M-N |
| | 1 | HoS 1 st =A | HoS 2 nd =C | HoS 3 rd =E | HoS 4 th =G | HoS 5 th =I | HoS 6 th =K | HoS 7 th =M |
| | 2 | | | | | | | 1x Bask.A=N |
| | 3 | | | | | | 1x Bask.A=L | |
| | 4 | | | | | 1x Bask.A=J | | |
| | 5 | | | | 1x Bask.A=H | | | |
| | 6 | | | 1x Bask.A=F | | | | |
| | 7 | | 1x Bask.A=D | | | | | |
| 8 | 1x Bask.A=B | | | | | | | |



**GROUP A
8 teams:**
7 winners
plus
best loser

**GROUP B
6 teams:**
6 worst
losers



11 – Handicap System for players

The Handicap System for players has been created to balance matches, to give status and a quick measurement to player's level.

The Handicap System for players is based on the WHR Active 4Y Players ranking calculated in the last 4 years preceding the year of competition.

The players available in the WHR Active 4Y Players ranking are divided in 11 groups and a handicap score from 0 to 10 is then assigned in each group according to the following criteria:

- Handicap 10 = players with a ranking greater or equal to 1000 points;
- Handicap 9 = players with a ranking from 900 to 999 points;
- Handicap 8 = players with a ranking from 800 to 899 points;
- Handicap 7 = players with a ranking from 700 to 799 points;
- Handicap 6 = players with a ranking from 600 to 699 points;
- Handicap 5 = players with a ranking from 500 to 599 points;
- Handicap 4 = players with a ranking from 400 to 499 points;
- Handicap 3 = players with a ranking from 300 to 399 points;
- Handicap 2 = players with a ranking from 200 to 299 points;
- Handicap 1 = players with a ranking from 100 to 199 points;
- Handicap 0 = players with a ranking less than 100 points.

At the beginning of the match, for both of the teams, the sum of the handicap scores of all the registered players in the match sheet is carried out.

Then the integer part of the difference between the largest team handicap and the lowest team handicap divided by 10, gives the number of goals the weaker team will have in advance on the scoreboard at the start of the match.

The Handicap System for players will be tested in certain FIHB competitions in 2023 and 2024 to make all the necessary corrections and then finally adopted in 2024.

Example of match sheet with information of the Handicap System for players:

| MATCH SHEET - PRO ELITE | | | | | | | | | | | | | | | |
|--------------------------------------------------------------------|-----------------------|---------------------------------|----------|------------------------------------------------------------------|----------|--------------|---------------------|------------------------------|----------|----------|---------|------------|----------|----------|-------|
| Date: 12th December 2022 | | | | 2024 FIHB World Cup Saint Lô (FRA), 9th... 13th December 2022 | | | | | | | | | | | |
| SPAIN (ESP) | | | | | | | GREAT BRITAIN (GBR) | | | | | | | | |
| N | PLAYER | handicap | 1st half | 2nd half | warning | N | PLAYER | handicap | 1st half | 2nd half | warning | | | | |
| 1 | Gil CARBONÉS BALDICH | 10 | | | | 1 | Ben BERRY | 6 | | | | | | | |
| 2 | Niil SEALL HOSTAU | 10 | | | | 2 | Sam HEMSTEAD | 5 | | | | | | | |
| 3 | Carles VILÀ FERNÁNDEZ | 10 | | | | 3 | Mike BARTON | 5 | | | | | | | |
| 4 | Guillem PUIGVERT BECH | 10 | | | | 4 | Jamie LAMBLEY | 5 | | | | | | | |
| 5 | Sauc VILÀ GIL | 9 | | | | 5 | Reece MCNAMARA | 4 | | | | | | | |
| 6 | Miquel JULIÀ MUÑOZ | 9 | | | | 6 | Ben LAMBLEY | 4 | | | | | | | |
| | | total hc | | | | | | total hc | | | | | | | |
| | | 58 | | | | | | 29 | | | | | | | |
| time out | | r.t.: 1 | r.t.: 2 | hc goals 0 | 1st half | 2nd half | FINAL | time out | | r.t.: 1 | r.t.: 2 | hc goals 2 | 1st half | 2nd half | FINAL |
| penalty n.1: | | coach: Marià CLAVELL PLANA | | | | penalty n.1: | | coach: Christophe DESORMEAUX | | | | | | | |
| zone referee: Maurizio PERCIA | | supervisor: Francis DUMONS | | | | Note: | | | | | | | | | |
| chair referee: Robin GUYON | | time keeper: Laurine SERT | | | | | | | | | | | | | |
| zone referee: Mathias BERKMANS | | match sheet: Anne-Lise DESCAMPS | | | | | | | | | | | | | |
| handicap goals=(total handicap team A - total handicap team B) /10 | | | | | | | | | | | | | | | |

Legenda for warnings: W=white card, Y=yellow card, R=red card

12 – Europa League

Commencing in 2023, the FIHB will promote Regional multistage events that will end with a final event called FIHB Europa League. Europe will be divided into regions and we will be beginning with 3 regions where 3 International multistage events are organized. In the future the number of regions can increase, according to the status of the International Horseball development. The current International multistage events are the following:

- Mediterranean League;
- Iberian League;
- North European League.

The categories participating will be:

- Under16;
- Ladies;
- Pro Elite.

The final event, FIHB Europa League, is planned in the month of July and 8 teams per category are invited to a competition over 3 days with the competition method for 8 teams option 3 (see par.10.6) where the number of leading teams of the series assigned to each Regional event is specified as a function of the number of participating teams and the number of stages of each event.

The number of teams in each category invited at the end of each Regional event will be based on the number of participating teams and the number of stages.

History

| Document history | | |
|------------------|---------------|----------------------------------------------------------------------------------------------------------------------------------------------------------------------------------------------------------------------------------------------------------------------------------------------------------------------------------------------------------------------------------------------------------------------------------------------------------------------------------------------------------------------------------------------------------------------------------------------------------------------------------------------------------------------------------------------------------------------------|
| 2013 ver.1.0 | April 2013 | First edition approved by FIHB Bureau on April 30 th 2013 |
| 2014 ver.1.0 | January 2014 | First edition approved by FIHB Bureau on January 19 th 2014 |
| 2014 ver.1.1 | February 2014 | Second edition approved by FIHB General Assembly on February 22 nd 2014 |
| 2015 ver.1.0 | December 2014 | First edition approved by FIHB Bureau on December 20 th 2014 |
| 2016 ver.1.0 | March 2016 | First edition approved by FIHB General Assembly on March 12 th 2016: <ul style="list-style-type: none"> • CR 007-2016: Clubs and Nations rankings 2016 and procedure to select the teams for the Champions League; • CR 006-2016: composition rules of the club team participating to the Champions League. |
| 2017 ver.1.0 | February 2017 | First edition approved by FIHB General Assembly on February 25 th 2017: <ul style="list-style-type: none"> • CR 011-2017: addition of aisbl and FIHB address; • CR 016-2017: update of the Nations rankings. |
| 2018 ver.1.0 | March 2018 | First edition approved by FIHB General Assembly on March 24 th 2018: <ul style="list-style-type: none"> • update of the Nations rankings. |
| 2019 ver.1.0 | March 2019 | First edition approved by FIHB General Assembly on March 17 th 2019: <ul style="list-style-type: none"> • CR 001-2019: minimum number of teams for national championships; • CR 002-2019: dealing with the results of 2 nat.chs.in a FIHB year; • CR 004-2019: invitation of the next club team in the priority list for the FIHB CLs; • CR 011-2019: full draw without head of series; • CR 013-2019 rev.1: multistage international events; • CR 021-2019: reservation of a place for Champions League; • CR 025-2019: allow National Cup participants to be invited to the Champions League; • Update of the nations rankings. |
| 2020 ver.1.0 | March 2020 | First edition approved by FIHB General Assembly on March 28 th 2020: <ul style="list-style-type: none"> • Update of the nations rankings. |
| 2021 ver.1.0 | March 2021 | First edition approved by FIHB General Assembly on March 20 th 2021: <ul style="list-style-type: none"> • Update of the nations rankings. |
| 2022 ver.1.0 | March 2022 | First edition approved by FIHB General Assembly on March 5 th 2022: <ul style="list-style-type: none"> • Update of the nations rankings. |
| 2022 ver.1.1 | March 2022 | Second edition approved by FIHB Bureau on March 24 th 2022: <ul style="list-style-type: none"> • Update of the nations rankings for Pro Elite category after communication of 2021 Belgian National Championships results. |
| 2023 ver.1.0 | April 2023 | First edition approved by FIHB General Assembly on April 22 nd 2023: <ul style="list-style-type: none"> • Update of the nations rankings; • CR 005-2023:deadline for the end of multi-stage events; • CR 006-2023: max number of multi-stage events entitling a place for the Champions League; • CR 010-2023 rev.1: Handicap system for players; • CR 016-2023 rev.1: competitions methods for FIHB events. |
| 2023 ver.1.1 | August 2023 | Second edition approved by FIHB Bureau on August 8 th 2023: <ul style="list-style-type: none"> • 1 multistage event entitled to have a place in the Champions League 2024, no multistage events entitled to have a place for the Champions League in the year 2025 onward; • added paragraph related to Europa League. |
| 2024 ver.1.0 | March 2024 | Document approved by the FIHB General Assembly on March 16 th 2024: <ul style="list-style-type: none"> • Update of the nations rankings. |
| 2024 ver.1.1 | December 2024 | Document approved by the FIHB Nations meeting on December 21 st 2024: <ul style="list-style-type: none"> • Nations Rankings 2016-2024; • CR 019-2024 rev.1: competition method with 14 teams for World Championships. |
| 2024 ver.1.2 | December 2024 | <ul style="list-style-type: none"> • CR 019-2024 rev.2: correction of the matches in Group A for Day 5 only in diagram view |

